

# BOUNDS FOR THE RATIO OF TWO GAMMA FUNCTIONS

FENG QI

ABSTRACT. By looking back at the long history of bounding the ratio  $\frac{\Gamma(x+a)}{\Gamma(x+b)}$  for  $x > -\min\{a, b\}$  and  $a, b \in \mathbb{R}$ , various origins of this topic are clarified, several developed courses are followed, different results are compared, useful methods are summarized, new advances are presented, some related problems are pointed out, and related references are collected.

## CONTENTS

1. Basic definitions and notations	3
1.1. The gamma function and related formulas	3
1.2. The $q$ -gamma function and related formulas	4
1.3. Logarithmic convex functions	5
1.4. Completely monotonic functions	5
1.5. Logarithmically completely monotonic functions	5
1.6. Some useful formulas and inequalities	6
1.7. Properties of a function involving the exponential function	8
2. The history and origins	9
2.1. Wendel's double inequality and proof	10
2.2. Gurland's upper bound	12
2.3. Kazarinoff's bounds for Wallis' formula	14
2.4. Gautschi's double inequalities	16
2.5. Chu's double inequality	17
2.6. Zimring's inequality	17
2.7. Further remarks	18
3. Refinements and extensions	18
3.1. Watson's monotonicity result	18
3.2. Erber's inequality	20
3.3. Uppuluri's bounds	21
3.4. Uppuluri-Boyd's double inequality	22
3.5. Shanbhag's inequalities	22
3.6. Raja Rao's results	24
3.7. Kečkić-Vasić's double inequality	24
3.8. Amos' sharp upper bound	25

---

2000 *Mathematics Subject Classification.* 26D15, 26A48, 26A51, 33B10, 33B15, 44A10, 65R10.

*Key words and phrases.* bound, inequality, ratio of two gamma functions, psi function, polygamma function, divided difference, monotonicity, logarithmic convexity, completely monotonic function, logarithmically completely monotonic function, refinement, extension, generalization, exponential function, transform.

The author was supported partially by the China Scholarship Council and both of authors were supported partially by the NSF of Henan University, China.

3.9.	Lazarević-Lupaş's convexity	25
3.10.	Slavić's double inequalities	25
3.11.	Kershaw's double inequalities and proofs	26
3.12.	Lorch's double inequality	28
3.13.	Laforgia's inequalities	29
3.14.	Dutka's double inequality	30
3.15.	Ismail-Lorch-Muldoon's monotonicity results	30
3.16.	Bustoz-Ismail's monotonicity results	31
3.17.	Alzer's monotonicity result	32
3.18.	Ismail-Muldoon's monotonicity result	32
3.19.	Elezović-Giordano-Pečarić's results	32
3.20.	Some results from the viewpoint of means	35
3.21.	Batir's double inequality	35
3.22.	Further remarks	36
4.	Merkle's methods and inequalities	36
4.1.	The $\beta$ -transform	36
4.2.	The $\pi_n$ -transform	36
4.3.	Convexities used by Merkle	37
4.4.	Discrete inequalities produced by convexities	37
4.5.	Further remarks	41
5.	Refinements and extensions of Kečkić-Vasić's inequality	41
5.1.	An extension and the sharpness	41
5.2.	Alzer's refinement and sharpness	41
5.3.	ABRVV's monotonic and log-convex functions	41
5.4.	Alzer's necessary and sufficient conditions	42
5.5.	Chen-Qi's necessary and sufficient conditions	42
5.6.	Guo-Qi-Srivastava's double inequality	42
5.7.	Some more Kečkić-Vasić type inequalities	43
5.8.	Guo-Zhang-Qi's inequality	45
5.9.	Further remarks	45
6.	Qi and his coauthors' results	45
6.1.	Proofs of Elezović-Giordano-Pečarić's monotonicity result	45
6.2.	Completely monotonic properties of divided differences	46
6.3.	Necessary and sufficient conditions	47
6.4.	Some results on Gautschi-Kershaw's second double inequality	48
6.5.	Generalizations of Lew-Frauenthal-Keyfitz's double inequality	50
7.	Related problems	52
7.1.	Monotonicity results for the ratio of two $q$ -gamma functions	52
7.2.	Monotonicity results for the ratio of products of gamma functions	53
7.3.	Monotonicity results for the ratio of products of $q$ -gamma functions	54
7.4.	Bounds for Wallis' formula	55
7.5.	Inequalities for the volume of unit ball in $\mathbb{R}^n$	57
7.6.	A new ratio of two gamma functions	57
	Acknowledgments	60
	References	60

## 1. BASIC DEFINITIONS AND NOTATIONS

In order to fluently and smoothly understand what follow in this paper, some basic concepts and notations need to be stated at first in this section.

## 1.1. The gamma function and related formulas.

1.1.1. *The gamma function.* It is well-known that the classical Euler gamma function can be defined for  $x > 0$  by

$$\Gamma(x) = \int_0^{\infty} t^{x-1} e^{-t} dt, \quad (1.1)$$

the derivative of its logarithm  $\ln \Gamma(x)$  is called the psi or digamma function and denoted by  $\psi(x)$ , and  $\psi^{(k)}(x)$  for  $k \in \mathbb{N}$  are called the polygamma functions.

It is general knowledge that

$$\Gamma(x+1) = x\Gamma(x), \quad x > 0. \quad (1.2)$$

Taking the logarithm and differentiating on both sides of (1.2) give

$$\psi(x+1) = \psi(x) + \frac{1}{x}, \quad x > 0. \quad (1.3)$$

1.1.2. *Stirling's formula.* For  $x > 0$ , there exists  $0 < \theta < 1$  such that

$$\Gamma(x+1) = \sqrt{2\pi} x^{x+1/2} \exp\left(-x + \frac{\theta}{12x}\right). \quad (1.4)$$

See [1, p. 257, 6.1.38].

1.1.3. *Wallis cosine formula.* Wallis cosine or sine formula reads [158] that

$$\begin{aligned} \int_0^{\pi/2} \cos^n x dx &= \int_0^{\pi/2} \sin^n x dx \\ &= \frac{\sqrt{\pi} \Gamma((n+1)/2)}{n \Gamma(n/2)} = \begin{cases} \frac{\pi}{2} \cdot \frac{(n-1)!!}{n!!} & \text{for } n \text{ even,} \\ \frac{(n-1)!!}{n!!} & \text{for } n \text{ odd,} \end{cases} \end{aligned} \quad (1.5)$$

where  $n!!$  denotes a double factorial. Therefore,

$$\frac{(2k)!!}{(2k-1)!!} = \frac{\sqrt{\pi} \Gamma(k+1)}{\Gamma(k+1/2)}, \quad k \in \mathbb{N}. \quad (1.6)$$

1.1.4. *Duplication formula.* For  $x > 0$ ,

$$2^{x-1} \Gamma\left(\frac{x}{2}\right) \Gamma\left(\frac{x+1}{2}\right) = \sqrt{\pi} \Gamma(x). \quad (1.7)$$

1.1.5. *Binet's first formula.* Binet's first formula for  $\ln \Gamma(x)$  is given by

$$\ln \Gamma(x) = \left(x - \frac{1}{2}\right) \ln x - x + \ln \sqrt{2\pi} + \theta(x) \quad (1.8)$$

for  $x > 0$ , where

$$\theta(x) = \int_0^{\infty} \left(\frac{1}{e^t - 1} - \frac{1}{t} + \frac{1}{2}\right) \frac{e^{-xt}}{t} dt \quad (1.9)$$

for  $x > 0$  is called the remainder of Binet's first formula for the logarithm of the gamma function. See [78, p. 11].

1.1.6. *Wendel's limit.* For real numbers  $a$  and  $b$ ,

$$\lim_{x \rightarrow \infty} \left[ x^{b-a} \frac{\Gamma(x+a)}{\Gamma(x+b)} \right] = 1. \quad (1.10)$$

See [1, p. 257, 6.1.46].

If  $z \neq -a, -a-1, \dots$ ; and  $z \neq -b, -b-1, \dots$ , then

$$\begin{aligned} z^{b-a} \frac{\Gamma(z+a)}{\Gamma(z+b)} &\sim 1 + \frac{(a-b)(a+b-1)}{2z} \\ &+ \frac{(a-b)(a-b-1)[3(a+b-1)^2 - a+b-1]}{24z^2} + \dots \end{aligned} \quad (1.11)$$

as  $z \rightarrow \infty$  along any curve joining  $z = 0$  and  $z = \infty$ . See [94, pp. 118–119].

1.1.7. *Legendre's formula.* For  $x > 0$ ,

$$\psi(x) = -\gamma + \int_0^1 \frac{t^{x-1} - 1}{t-1} dt. \quad (1.12)$$

1.1.8. *Gauss' Theorem.* For  $\operatorname{Re}(c-a-b) > 0$ ,

$$\sum_{n=0}^{\infty} \frac{(a)_n (b)_n}{n! (c)_n} = {}_2F_1(a, b; c; 1) = \frac{\Gamma(c)\Gamma(c-a-b)}{\Gamma(c-a)\Gamma(c-b)}. \quad (1.13)$$

See [13, p. 66, Theorem 2.2].

1.2. **The  $q$ -gamma function and related formulas.** It is well-known (see [13, pp. 493–496] and [46]) that the  $q$ -gamma function, the  $q$ -analogue of the gamma function  $\Gamma(x)$ , is defined for  $x > 0$  by

$$\Gamma_q(x) = (1-q)^{1-x} \prod_{i=0}^{\infty} \frac{1-q^{i+1}}{1-q^{i+x}} \quad (1.14)$$

for  $0 < q < 1$  and

$$\Gamma_q(x) = (q-1)^{1-x} q^{\binom{x}{2}} \prod_{i=0}^{\infty} \frac{1-q^{-(i+1)}}{1-q^{-(i+x)}} \quad (1.15)$$

for  $q > 1$ . It has the following basic properties

$$\lim_{q \rightarrow 1^+} \Gamma_q(z) = \lim_{q \rightarrow 1^-} \Gamma_q(z) = \Gamma(z) \quad \text{and} \quad \Gamma_q(x) = q^{\binom{x-1}{2}} \Gamma_{1/q}(x). \quad (1.16)$$

The  $q$ -psi function  $\psi_q(x)$ , the  $q$ -analogue of the psi function  $\psi(x)$ , for  $0 < q < 1$  and  $x > 0$  may be defined by

$$\begin{aligned} \psi_q(x) &= \frac{\Gamma'_q(x)}{\Gamma_q(x)} = -\ln(1-q) + \ln q \sum_{k=0}^{\infty} \frac{q^{k+x}}{1-q^{k+x}} \\ &= -\ln(1-q) + \ln q \sum_{k=1}^{\infty} \frac{q^{kx}}{1-q^k}, \end{aligned} \quad (1.17)$$

and  $\psi_q^{(k)}(x)$ , the  $q$ -analogues of the polygamma functions  $\psi^{(k)}(x)$ , for  $k \in \mathbb{N}$  are called the  $q$ -polygamma functions. The following Stieltjes integral representation for  $\psi_q(x)$  is given in [61]:

$$\psi_q(x) = -\ln(1-q) - \int_0^{\infty} \frac{e^{-xt}}{1-e^{-t}} d\gamma_q(t) \quad (1.18)$$

for  $0 < q < 1$  and  $x > 0$ , where

$$\gamma_q(t) = -\ln q \sum_{k=1}^{\infty} \delta(t + k \ln q). \quad (1.19)$$

### 1.3. Logarithmic convex functions.

**Definition 1.1** ([96, 110]). For  $k \in \mathbb{N}$ , a positive and  $k$ -time differentiable function  $f(x)$  is said to be  $k$ -log-convex on an interval  $I$  if

$$[\ln f(x)]^{(k)} \geq 0 \quad (1.20)$$

on  $I$ . If the inequality (1.20) is reversed, then  $f$  is said to be  $k$ -log-concave on  $I$ .

*Remark 1.3.1.* It is clear that a 1-log-convex function (or 1-log-concave function, respectively) is equivalent to a positive and increasing (or decreasing, respectively) function and that a 2-log-convex function is positive and convex. Conversely, a convex function may not be 2-log-convex. See [96, p. 7, Remark. 1.16].

### 1.4. Completely monotonic functions.

**Definition 1.2** ([90, Chapter XIII] and [161, Chapter IV]). A function  $f$  is said to be completely monotonic on an interval  $I$  if  $f$  has derivatives of all orders on  $I$  and

$$(-1)^n f^{(n)}(x) \geq 0 \quad (1.21)$$

for  $x \in I$  and  $n \geq 0$ .

*Remark 1.4.1.* The famous Bernstein-Widder's Theorem [161, p. 161] states that a function  $f$  is completely monotonic on  $(0, \infty)$  if and only if

$$f(x) = \int_0^{\infty} e^{-xs} d\mu(s), \quad (1.22)$$

where  $\mu$  is a nonnegative measure on  $[0, \infty)$  such that the integral (1.22) converges for all  $x > 0$ . This means that a completely monotonic function  $f$  on  $(0, \infty)$  is a Laplace transform of the measure  $\mu$ .

*Remark 1.4.2.* A result of [38, p. 98] asserts that for a completely monotonic function  $f$  on  $(a, \infty)$  inequalities in (1.21) strictly hold unless  $f(x)$  is constant. This assertion can also be found in [124].

**Definition 1.3** ([14]). If  $f^{(k)}(x)$  for some nonnegative integer  $k$  is completely monotonic on an interval  $I$ , but  $f^{(k-1)}(x)$  is not completely monotonic on  $I$ , then  $f(x)$  is called a completely monotonic function of  $k$ -th order on an interval  $I$ .

### 1.5. Logarithmically completely monotonic functions.

**Definition 1.4** ([14, 118]). A positive function  $f$  is said to be logarithmically completely monotonic on an interval  $I \subseteq \mathbb{R}$  if it has derivatives of all orders on  $I$  and its logarithm  $\ln f$  satisfies

$$(-1)^k [\ln f(x)]^{(k)} \geq 0 \quad (1.23)$$

for  $k \in \mathbb{N}$  on  $I$ .

*Remark 1.5.1.* In [19, 112, 118, 136], it was recovered that any logarithmically completely monotonic function  $f$  on  $I$  must be completely monotonic on  $I$ , but not conversely. However, it was discovered in [85, Section 5] that every completely monotonic function on  $(0, \infty)$  is logarithmically convex.

*Remark 1.5.2.* The following conclusions may be useful: A logarithmically convex function is also convex; If  $f$  is non-negative and concave, then it is logarithmically concave; The sum of finite logarithmically convex functions is also a logarithmically convex function; But, the sum of two logarithmically concave functions may not be logarithmically concave. See [85, Section 3].

*Remark 1.5.3.* In [19, Theorem 1.1] and [51, 124] it is pointed out that the logarithmically completely monotonic functions on  $(0, \infty)$  can be characterized as the infinitely divisible completely monotonic functions studied by Horn in [59, Theorem 4.4] and that the set of all Stieltjes transforms is a subset of the set of logarithmically completely monotonic functions on  $(0, \infty)$ .

*Remark 1.5.4.* For more information on characterizations, applications and history of the class of logarithmically completely monotonic functions, please refer to [14, 19, 112, 118, 124] and related references therein.

**Definition 1.5** ([127, 128]). Let  $f$  be a positive function which has derivatives of all orders on an interval  $I$ . If  $[\ln f(x)]^{(k)}$  for some nonnegative integer  $k$  is completely monotonic on  $I$ , but  $[\ln f(x)]^{(k-1)}$  is not completely monotonic on  $I$ , then  $f$  is said to be a logarithmically completely monotonic function of  $k$ -th order on  $I$ .

**Definition 1.6** ([103, 161]). A function  $f$  is said to be absolutely monotonic on an interval  $I$  if it has derivatives of all orders and

$$f^{(k-1)}(t) \geq 0 \quad (1.24)$$

for  $t \in I$  and  $k \in \mathbb{N}$ .

**Definition 1.7** ([127, 128]). Let  $f$  be a positive function which has derivatives of all orders on an interval  $I$ . If  $[\ln f(x)]^{(k)}$  for some nonnegative integer  $k$  is absolutely monotonic on  $I$ , but  $[\ln f(x)]^{(k-1)}$  is not absolutely monotonic on  $I$ , then  $f$  is said to be a logarithmically absolutely monotonic function of  $k$ -th order on  $I$ .

**Definition 1.8** ([127, 128]). A positive function  $f$  which has derivatives of all orders on an interval  $I$  is said to be logarithmically absolutely convex on  $I$  if

$$[\ln f(x)]^{(2k)} \geq 0 \quad (1.25)$$

on  $I$  for  $k \in \mathbb{N}$ .

## 1.6. Some useful formulas and inequalities.

1.6.1. *Jensen's inequality.* If  $\phi$  be a convex function on  $[a, b]$ , then

$$\phi\left(\sum_{k=1}^n p_k x_k\right) \leq \sum_{k=1}^n p_k \phi(x_k), \quad (1.26)$$

where  $n \in \mathbb{N}$ ,  $x_k \in [a, b]$  and  $p_k \geq 0$  for  $1 \leq k \leq n$  satisfying  $\sum_{k=1}^n p_k = 1$ .

1.6.2. *Hölder's inequality for integrals.* Let  $p$  and  $q$  be positive numbers satisfying  $\frac{1}{p} + \frac{1}{q} = 1$ . If  $f$  and  $g$  are absolutely integrable on  $(0, \infty)$ , then

$$\int_0^\infty |f(t)g(t)| dt \leq \left[ \int_0^\infty |f(t)|^p dt \right]^{1/p} \left[ \int_0^\infty |g(t)|^q dt \right]^{1/q}, \quad (1.27)$$

with equality when  $|g(x)| = c|f(x)|^{p-1}$ .

1.6.3. *Convolution theorem of Laplace transform.* Let  $f_i(t)$  for  $i = 1, 2$  be piecewise continuous in arbitrary finite intervals included on  $(0, \infty)$ . If there exist some constants  $M_i > 0$  and  $c_i \geq 0$  such that  $|f_i(t)| \leq M_i e^{c_i t}$  for  $i = 1, 2$ , then

$$\int_0^\infty \left[ \int_0^t f_1(u) f_2(t-u) du \right] e^{-st} dt = \int_0^\infty f_1(u) e^{-su} du \int_0^\infty f_2(v) e^{-sv} dv. \quad (1.28)$$

See [159].

1.6.4. *Mean values.* The generalized logarithmic mean  $L_p(a, b)$  of order  $p \in \mathbb{R}$  for positive numbers  $a$  and  $b$  with  $a \neq b$  is defined in [22, p. 385] by

$$L_p(a, b) = \begin{cases} \left[ \frac{b^{p+1} - a^{p+1}}{(p+1)(b-a)} \right]^{1/p}, & p \neq -1, 0; \\ \frac{b-a}{\ln b - \ln a}, & p = -1; \\ \frac{1}{e} \left( \frac{b^b}{a^a} \right)^{1/(b-a)}, & p = 0. \end{cases} \quad (1.29)$$

Note that

$$L_1(a, b) = \frac{a+b}{2} = A(a, b), \quad L_{-1}(a, b) = L(a, b) \quad \text{and} \quad L_0(a, b) = I(a, b) \quad (1.30)$$

are called respectively the arithmetic mean, the logarithmic mean, and the identric or exponential mean in the literature. Since the generalized logarithmic mean  $L_p(a, b)$  is increasing in  $p$  for  $a \neq b$ , see [22, pp. 386–387, Theorem 3], inequalities

$$L(a, b) < I(a, b) < A(a, b) \quad (1.31)$$

are valid for  $a > 0$  and  $b > 0$  with  $a \neq b$ . See also [103, 108] and related references therein.

1.6.5. *Bernoulli numbers.* Bernoulli numbers  $B_n$  for  $n \geq 0$  can be defined as

$$\frac{x}{e^x - 1} = \sum_{n=0}^{\infty} \frac{B_n}{n!} x^n = 1 - \frac{x}{2} + \sum_{j=1}^{\infty} B_{2j} \frac{x^{2j}}{(2j)!}, \quad |x| < 2\pi. \quad (1.32)$$

The first six Bernoulli numbers are

$$B_0 = 1, \quad B_1 = -\frac{1}{2}, \quad B_2 = \frac{1}{6}, \quad B_4 = -\frac{1}{30}, \quad B_6 = \frac{1}{42}, \quad B_8 = -\frac{1}{30}. \quad (1.33)$$

1.6.6. *A completely monotonic function.* For any real number  $\alpha$ , let

$$\Theta_\alpha(x) = x^\alpha [\ln x - \psi(x)], \quad x \in (0, \infty). \quad (1.34)$$

The function  $\Theta_1(x)$  was proved in [12, Theorem 3.1] to be decreasing and convex on  $(0, \infty)$ .

By using Binet's first formula (1.9) and complicated calculating techniques for proper integrals, a general result was presented in [6, pp. 374–375, Theorem 1]: For real number  $\alpha$ , the function  $\Theta_\alpha(x)$  is completely monotonic on  $(0, \infty)$  if and only if  $\alpha \leq 1$ .

The completely monotonic property of  $\Theta_\alpha(x)$  was also proved by a different approach in [117] recently.

**1.7. Properties of a function involving the exponential function.** For  $t \in \mathbb{R}$  and real numbers  $\alpha$  and  $\beta$  satisfying  $\alpha \neq \beta$  and  $(\alpha, \beta) \notin \{(0, 1), (1, 0)\}$ , let

$$q_{\alpha, \beta}(t) = \begin{cases} \frac{e^{-\alpha t} - e^{-\beta t}}{1 - e^{-t}}, & t \neq 0, \\ \beta - \alpha, & t = 0. \end{cases} \quad (1.35)$$

In [104, 110, 116, 120, 126], sufficient and necessary conditions that the function  $q_{\alpha, \beta}(x)$  is monotonic, logarithmically convex and logarithmically concave on  $(0, \infty)$  were discovered step by step.

1.7.1. *Monotonic properties of  $q_{\alpha, \beta}(x)$ .* The earliest complete conclusions on monotonic properties of  $q_{\alpha, \beta}(x)$  were discussed in the paper [104] little by little but thoroughly.

**Theorem 1.1** ([104, 120]). *Let  $\alpha$  and  $\beta$  satisfying  $\alpha \neq \beta$  and  $(\alpha, \beta) \notin \{(0, 1), (1, 0)\}$  be real numbers and  $t \in \mathbb{R}$ .*

(1) *The function  $q_{\alpha, \beta}(t)$  is increasing on  $(0, \infty)$  if and only if*  
 $(\beta - \alpha)(1 - \alpha - \beta) \geq 0 \quad \text{and} \quad (\beta - \alpha)(|\alpha - \beta| - \alpha - \beta) \geq 0. \quad (1.36)$

(2) *The function  $q_{\alpha, \beta}(t)$  is decreasing on  $(0, \infty)$  if and only if*  
 $(\beta - \alpha)(1 - \alpha - \beta) \leq 0 \quad \text{and} \quad (\beta - \alpha)(|\alpha - \beta| - \alpha - \beta) \leq 0. \quad (1.37)$

(3) *The function  $q_{\alpha, \beta}(t)$  is increasing on  $(-\infty, 0)$  if and only if*  
 $(\beta - \alpha)(1 - \alpha - \beta) \geq 0 \quad \text{and} \quad (\beta - \alpha)(2 - |\alpha - \beta| - \alpha - \beta) \geq 0. \quad (1.38)$

(4) *The function  $q_{\alpha, \beta}(t)$  is decreasing on  $(-\infty, 0)$  if and only if*  
 $(\beta - \alpha)(1 - \alpha - \beta) \leq 0 \quad \text{and} \quad (\beta - \alpha)(2 - |\alpha - \beta| - \alpha - \beta) \leq 0. \quad (1.39)$

(5) *The function  $q_{\alpha, \beta}(t)$  is increasing on  $(-\infty, \infty)$  if and only if*  
 $(\beta - \alpha)(|\alpha - \beta| - \alpha - \beta) \geq 0 \quad \text{and} \quad (\beta - \alpha)(2 - |\alpha - \beta| - \alpha - \beta) \geq 0. \quad (1.40)$

(6) *The function  $q_{\alpha, \beta}(t)$  is decreasing on  $(-\infty, \infty)$  if and only if*  
 $(\beta - \alpha)(|\alpha - \beta| - \alpha - \beta) \leq 0 \quad \text{and} \quad (\beta - \alpha)(2 - |\alpha - \beta| - \alpha - \beta) \leq 0. \quad (1.41)$

*Remark 1.7.1.* The  $(\alpha, \beta)$ -domains from (1.36) to (1.41) can be described respectively by Figure 1 to Figure 6.

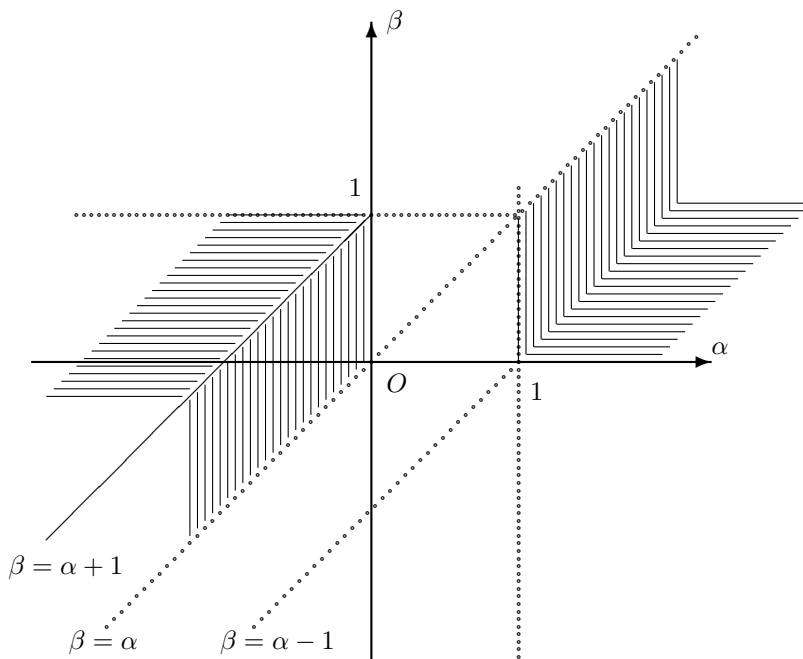
*Remark 1.7.2.* Theorem 1.1 and Figure 1 to Figure 4 correct several minor errors in [104, 110, 120].

1.7.2. *Logarithmically convex properties of  $q_{\alpha, \beta}(t)$ .* These results were founded at first in [126, Lemma 1], earlier than monotonic properties of  $q_{\alpha, \beta}(t)$ .

**Theorem 1.2** ([104, 116, 120, 126]). *The function  $q_{\alpha, \beta}(t)$  on  $(-\infty, \infty)$  is logarithmically convex if  $\beta - \alpha > 1$  and logarithmically concave if  $0 < \beta - \alpha < 1$ .*

*Remark 1.7.3.* This theorem tells us that the logarithmic convexity and logarithmic concavity of  $q_{\alpha, \beta}(t)$  on the interval  $(-\infty, 0)$ , showed in [126, Lemma 1], are wrong. However, this does not affect the correctness of any other results established in [126], since the wrong conclusions about  $q_{\alpha, \beta}(t)$  on the interval  $(-\infty, 0)$  are idle there luckily.



FIGURE 1.  $(\alpha, \beta)$ -domain where  $q_{\alpha, \beta}(t)$  increases on  $(-\infty, \infty)$ 

### 1.7.3. Three-log-convex properties of $q_{\alpha, \beta}(t)$ .

**Theorem 1.3** ([110]). *If  $1 > \beta - \alpha > 0$ , then  $q_{\alpha, \beta}(t)$  is 3-log-convex on  $(0, \infty)$  and 3-log-concave on  $(-\infty, 0)$ ; if  $\beta - \alpha > 1$ , then  $q_{\alpha, \beta}(t)$  is 3-log-concave on  $(0, \infty)$  and 3-log-convex on  $(-\infty, 0)$ .*

*Remark 1.7.4.* So far no any application of 3-log-convex properties of  $q_{\alpha, \beta}(t)$  is disclosed, unlike monotonic and logarithmically convex properties of  $q_{\alpha, \beta}(t)$  already having applications in [116, 120, 122, 126] respectively.

*Remark 1.7.5.* One of the key steps proving Theorem 1.1 to Theorem 1.3 is to rewrite the function  $q_{\alpha, \beta}(t)$  as

$$q_{\alpha, \beta}(t) = \frac{\sinh \frac{(\beta - \alpha)t}{2}}{\sinh \frac{t}{2}} \exp \frac{(1 - \alpha - \beta)t}{2}. \quad (1.42)$$

*Remark 1.7.6.* The monotonic and convex properties of  $q_{\alpha, \beta}(t)$  have important applications to investigations of the gamma and  $q$ -gamma functions.

## 2. THE HISTORY AND ORIGINS

In the history of this topic, there are several independent origins and different motivations of bounding the ratio of two gamma functions, no matter their appearances were early or late.

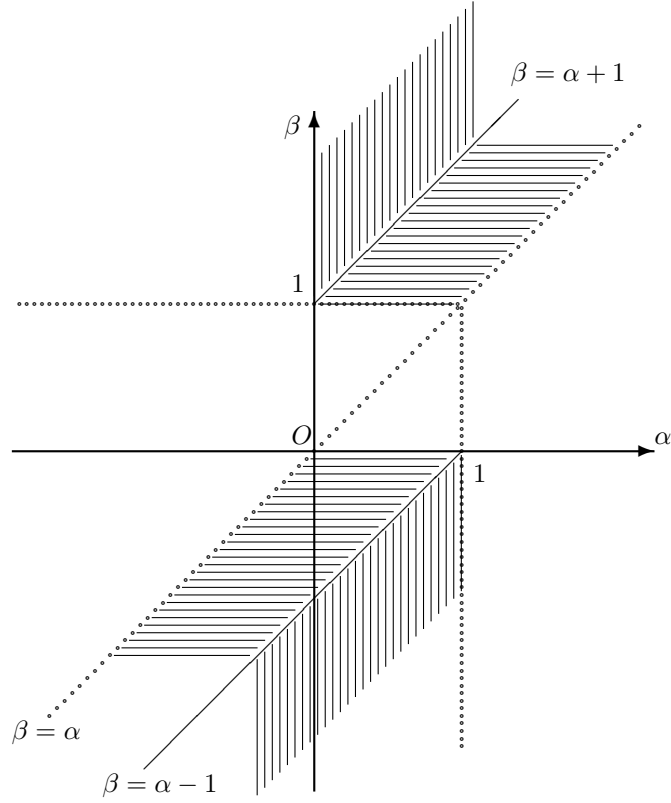


FIGURE 2.  $(\alpha, \beta)$ -domain where  $q_{\alpha, \beta}(t)$  decreases on  $(-\infty, \infty)$

**2.1. Wendel's double inequality and proof.** As early as in 1948, in order to establish the classical asymptotic relation

$$\lim_{x \rightarrow \infty} \frac{\Gamma(x+s)}{x^s \Gamma(x)} = 1 \quad (2.1)$$

for real  $s$  and  $x$ , using Hölder's inequality (1.27), J. G. Wendel proved in [160] the double inequality

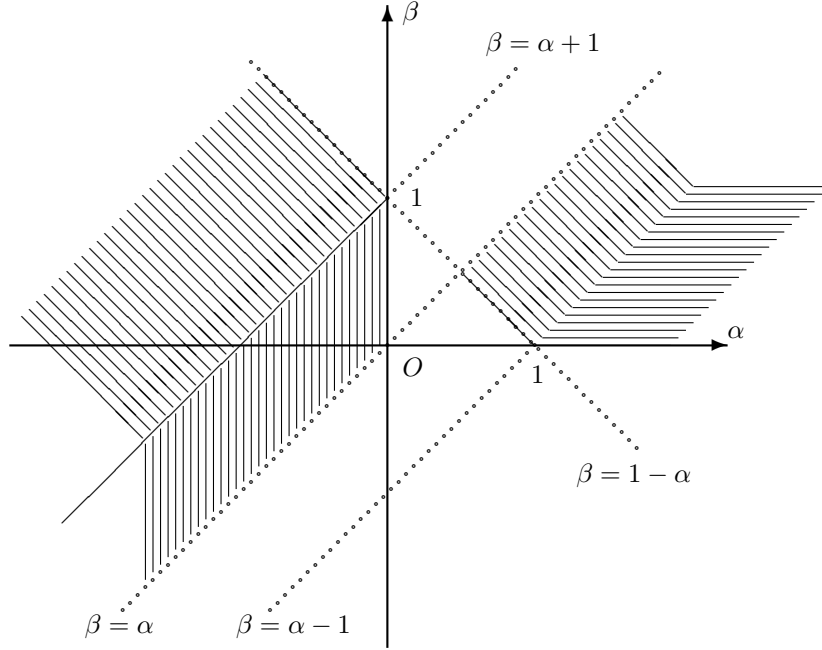
$$\left( \frac{x}{x+s} \right)^{1-s} \leq \frac{\Gamma(x+s)}{x^s \Gamma(x)} \leq 1 \quad (2.2)$$

for  $0 < s < 1$  and  $x > 0$ .

*Wendel's proof for (2.1) and (2.2).* Let

$$0 < s < 1, \quad p = \frac{1}{s}, \quad q = \frac{p}{p-1} = \frac{1}{1-s},$$

$$f(t) = e^{-st} t^{sx}, \quad g(t) = e^{-(1-s)t} t^{(1-s)x+s-1},$$

FIGURE 3.  $(\alpha, \beta)$ -domain where  $q_{\alpha, \beta}(t)$  is increasing on  $(0, \infty)$ 

and apply Hölder's inequality (1.27) and the recurrent formula (1.2) to obtain

$$\begin{aligned}
 \Gamma(x+s) &= \int_0^\infty e^{-t} t^{x+s-1} dt \\
 &\leq \left( \int_0^\infty e^{-t} t^x dt \right)^s \left( \int_0^\infty e^{-t} t^{-1} dt \right)^{1-s} \\
 &= [\Gamma(x+1)]^s [\Gamma(x)]^{1-s} \\
 &= x^s \Gamma(x).
 \end{aligned} \tag{2.3}$$

Replacing  $s$  by  $1-s$  in (2.3) we get

$$\Gamma(x+1-s) \leq x^{1-s} \Gamma(x), \tag{2.4}$$

from which we obtain

$$\Gamma(x+1) \leq (x+s)^{1-s} \Gamma(x+s), \tag{2.5}$$

by substituting  $x+s$  for  $x$ .

Combining (2.3) and (2.5) we get

$$\frac{x}{(x+s)^{1-s}} \Gamma(x) \leq \Gamma(x+s) \leq x^s \Gamma(x).$$

Therefore, the inequality (2.2) follows.

Letting  $x$  tend to infinity in (2.2) yields (2.1) for  $0 < s < 1$ . The extension to all real  $s$  is immediate on repeated application of (1.2).  $\square$

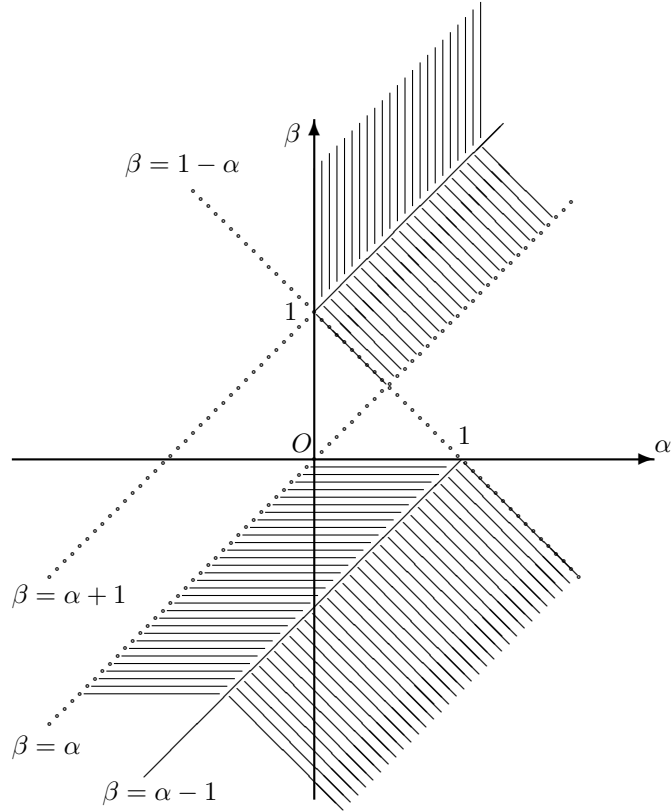


FIGURE 4.  $(\alpha, \beta)$ -domain where  $q_{\alpha, \beta}(t)$  is decreasing on  $(0, \infty)$

*Remark 2.1.1.* The inequality (2.2) can be rewritten for  $0 < s < 1$  and  $x > 0$  as

$$x^{1-s} \leq \frac{\Gamma(x+1)}{\Gamma(x+s)} \leq (x+s)^{1-s}. \quad (2.6)$$

*Remark 2.1.2.* The limits (1.10) and (2.1) are equivalent to each other, since

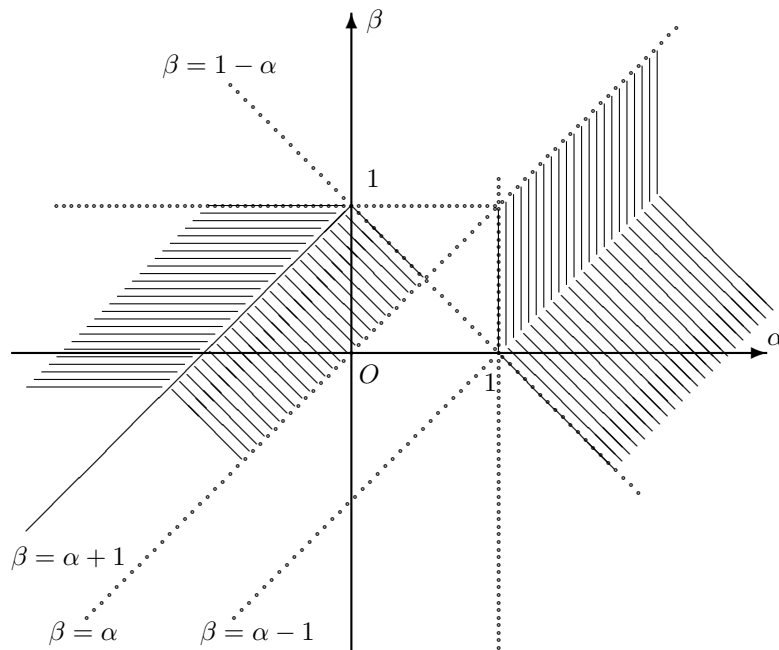
$$x^{t-s} \frac{\Gamma(x+s)}{\Gamma(x+t)} = \frac{\Gamma(x+s)}{x^s \Gamma(x)} \cdot \frac{x^t \Gamma(x)}{\Gamma(x+t)}.$$

Hence, the limit (1.10) is called Wendel's limit in the literature of this paper.

*Remark 2.1.3.* The double inequality (2.2) or (2.6) is more meaningful than the limit (2.1), since the former implies the latter, but not conversely.

*Remark 2.1.4.* Due to unknown reasons, Wendel's paper [160] and inequalities (2.2) or (2.6) were possibly neglected by nearly all mathematicians for more than fifty years about, until 1999 in [88] and later in [84, 85, 109, 111, 139, 150], to the best of my knowledge.

**2.2. Gurland's upper bound.** In 1956, by a basic theorem in mathematical statistics concerning unbiased estimators with minimum variance, Gurland in [58,

FIGURE 5.  $(\alpha, \beta)$ -domain where  $q_{\alpha, \beta}(t)$  is increasing on  $(-\infty, 0)$ 

p. 645] established a closer approximation to  $\pi$

$$\frac{4k+3}{(2k+1)^2} \left[ \frac{(2k)!!}{(2k-1)!!} \right]^2 < \pi < \frac{4}{4k+1} \left[ \frac{(2k)!!}{(2k-1)!!} \right]^2, \quad k \in \mathbb{N} \quad (2.7)$$

through presenting

$$\left[ \frac{\Gamma((n+1)/2)}{\Gamma(n/2)} \right]^2 < \frac{n^2}{2n+1}, \quad n \in \mathbb{N}. \quad (2.8)$$

*Remark 2.2.1.* The double inequality (2.7) may be rearranged as

$$\frac{\sqrt{4k+3}}{\sqrt{\pi}(2k+1)} < \frac{(2k-1)!!}{(2k)!!} < \frac{2}{\sqrt{\pi(4k+1)}}, \quad k \in \mathbb{N}. \quad (2.9)$$

*Remark 2.2.2.* The inequality (2.8) is better than the right-hand side inequality in (2.6) for  $x = \frac{n-1}{2}$  and  $s = \frac{1}{2}$ .

*Remark 2.2.3.* Taking respectively  $n = 2k$  and  $n = 2k - 1$  for  $k \in \mathbb{N}$  in (2.8) leads to

$$\sqrt{k + \frac{1}{4}} < \frac{\Gamma(k+1)}{\Gamma(k+1/2)} < \frac{2k}{\sqrt{4k-1}}, \quad k \in \mathbb{N}. \quad (2.10)$$

This is better than (2.6) for  $x = k$  and  $s = \frac{1}{2}$ . We will see that it is also better than (2.20) for  $s = \frac{1}{2}$  and it is the same as (2.28).

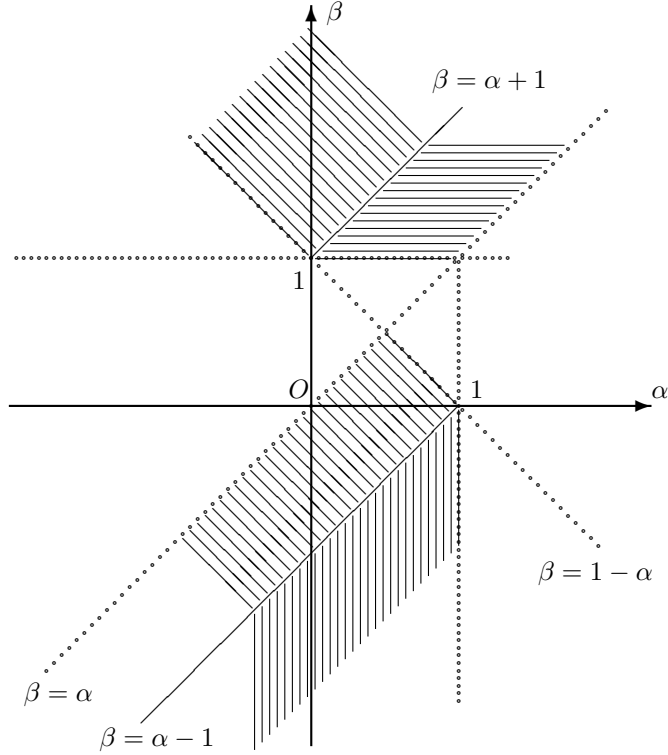


FIGURE 6.  $(\alpha, \beta)$ -domain where  $q_{\alpha, \beta}(t)$  is decreasing on  $(-\infty, 0)$

*Remark 2.2.4.* It is astonishing that inequalities in (2.8) or (2.9) were recovered in [36] by a different but elementary approach. In other words, the inequality (2.8) and the right-hand side inequality in (2.27) are same. See Section 2.5.

*Remark 2.2.5.* Just like the paper [160], Gurland's paper [58] was also neglected until 1966 in [148] and 1985 in [39]. The famous monograph [89] recorded neither of the papers [58, 160]. It's a pity, since inequalities in (2.7) and (2.8) are very sharp, as discussed in Remark 2.3.2 below.

*Remark 2.2.6.* For more information on new developments of bounding Wallis' formula (1.5), please refer to Section 7.4.

**2.3. Kazarinoff's bounds for Wallis' formula.** In 1956, starting from one form of the celebrated formula of John Wallis:

$$\frac{1}{\sqrt{\pi(n+1/2)}} < \frac{(2n-1)!!}{(2n)!!} < \frac{1}{\sqrt{\pi n}}, \quad n \in \mathbb{N}, \quad (2.11)$$

which had been quoted for more than a century before 1950s by writers of textbooks, it was proved in [62] that the sequence  $\theta(n)$  defined by

$$\frac{(2n-1)!!}{(2n)!!} = \frac{1}{\sqrt{\pi(n+\theta(n))}} \quad (2.12)$$

satisfies  $\frac{1}{4} < \theta(n) < \frac{1}{2}$  for  $n \in \mathbb{N}$ . This implies

$$\frac{1}{\sqrt{\pi(n+1/2)}} < \frac{(2n-1)!!}{(2n)!!} < \frac{1}{\sqrt{\pi(n+1/4)}}, \quad n \in \mathbb{N}. \quad (2.13)$$

It was said in [62] that it is unquestionable that inequalities similar to (2.13) can be improved indefinitely but at a sacrifice of simplicity, which is why they have survived so long.

The proof of (2.13) is based upon the property

$$[\ln \phi(t)]'' - \{[\ln \phi(t)]'\}^2 > 0 \quad (2.14)$$

of the function

$$\phi(t) = \int_0^{\pi/2} \sin^t x \, dx = \frac{\sqrt{\pi} \Gamma((t+1)/2)}{2 \Gamma((t+2)/2)} \quad (2.15)$$

for  $-1 < t < \infty$ . The inequality (2.14) was proved by making use of (1.12) and estimating the integrals

$$\int_0^1 \frac{x^t}{1+x} \, dx \quad \text{and} \quad \int_0^1 \frac{x^t \ln x}{1+x} \, dx. \quad (2.16)$$

Since (2.14) is equivalent to the statement that the reciprocal of  $\phi(t)$  has an everywhere negative second derivative, therefore, for any positive  $t$ ,  $\phi(t)$  is less than the harmonic mean of  $\phi(t-1)$  and  $\phi(t+1)$ ; simplifying this leads to the fact that

$$\frac{\Gamma((t+1)/2)}{\Gamma((t+2)/2)} < \frac{2}{\sqrt{2t+1}}, \quad t > 0. \quad (2.17)$$

As a subcase of this result, the right-hand side inequality in (2.13) is established.

*Remark 2.3.1.* Replacing  $t$  by  $2t$  for  $t > 0$  in (2.17) leads to

$$\frac{\Gamma(t+1/2)}{\Gamma(t+1)} < \frac{1}{\sqrt{t+1/4}} \quad (2.18)$$

for  $t > 0$ , which is better than the left-hand side inequality in (2.6) for  $s = \frac{1}{2}$  and extends the left-hand side inequality in (2.10).

*Remark 2.3.2.* The right-hand side inequality in (2.9) is same as the corresponding one in (2.13), and that the left-hand side inequality in (2.9) is better than the corresponding one in (2.13) and (3.6) for  $n \geq 2$ . Therefore, Gurland's inequality (2.8) is much sharp.

*Remark 2.3.3.* A double inequality bounding the quantity  $\frac{(2k-1)!!}{(2k)!!}$  can be reduced to an upper or a lower bound for the ratio  $\frac{\Gamma((n+1)/2)}{\Gamma(n/2)}$ . Conversely, either the upper or the lower bound for the ratio  $\frac{\Gamma((n+1)/2)}{\Gamma(n/2)}$  can be used to derive a double inequality bounding the quotient  $\frac{(2k-1)!!}{(2k)!!}$ .

*Remark 2.3.4.* The idea and spirit of Kazarinoff in [62] would be developed by Watson in [156]. See Section 3.1.

**2.4. Gautschi's double inequalities.** In 1959, among other things, by a different motivation from Wendel in [160], W. Gautschi established independently in [47] two double inequalities for  $n \in \mathbb{N}$  and  $0 \leq s \leq 1$ :

$$n^{1-s} \leq \frac{\Gamma(n+1)}{\Gamma(n+s)} \leq \exp((1-s)\psi(n+1)), \quad (2.19)$$

$$n^{1-s} \leq \frac{\Gamma(n+1)}{\Gamma(n+s)} \leq (n+1)^{1-s}. \quad (2.20)$$

*Remark 2.4.1.* It is clear that the upper bound and the domain in the inequality (2.20) are not better and more extensive than the corresponding ones in (2.6).

*Remark 2.4.2.* The upper bounds in (2.6), (2.19) and (2.20) have the following relationships:

$$\exp((1-s)\psi(n+1)) \leq (n+1)^{1-s} \quad (2.21)$$

for  $0 < s \leq 1$  and  $n \in \mathbb{N}$ ,

$$(n+s)^{1-s} \leq \exp((1-s)\psi(n+1)) \quad (2.22)$$

for  $0 \leq s \leq \frac{1}{2}$  and  $n \in \mathbb{N}$ , and the inequality (2.22) reverses for  $s > e^{1-\gamma} - 1 = 0.52620\dots$ , since the function

$$Q(x) = e^{\psi(x+1)} - x \quad (2.23)$$

was proved in [119, Theorem 2] to be strictly decreasing on  $(-1, \infty)$ , with

$$\lim_{x \rightarrow \infty} Q(x) = \frac{1}{2}. \quad (2.24)$$

This means that Wendel's double inequality (2.6) and Gautschi's first double inequality (2.19) are not included each other but they all contain Gautschi's second double inequality (2.20).

*Remark 2.4.3.* By the convex property of  $\ln \Gamma(x)$ , Merkle recovered in [81, 82, 83, 85, 86, 87] inequalities in (2.19) and (2.20) once again. See Section 4.

*Remark 2.4.4.* The monotonic and convex properties of the function (2.24) are also derived in [43]. See Section 3.19.1 and Remark 3.19.6 to Remark 3.19.8.

*Remark 2.4.5.* The Mathematical Reviews' comments MR0103289 on the paper [47] is cited as follows: The author gives lower and upper bounds of the form  $c[(x^p + \frac{1}{c})^{1/p} - x]$  for  $e^{x^p} \int_x^\infty e^{-t^p} dt$  in the range  $p > 1$  and  $0 \leq x < \infty$ ; the respective values of  $c$  are 2 and  $[\Gamma(1 + \frac{1}{p})]^{p/(p-1)}$ . As it stands, the proof is only valid if  $p$  is an integer, but, in a correction, the author has indicated a modification which validates it for all  $p > 1$ .

*Remark 2.4.6.* There is no a word commenting on inequalities in (2.19) and (2.20) by the Mathematical Reviews' reviewer of the paper [47]. However, these two double inequalities later became a major source of a series of research on bounding the ratio of two gamma functions.

*Remark 2.4.7.* The function  $e^{x^p} \int_x^\infty e^{-t^p} dt$  was further investigated in [2, 15, 41, 70, 92, 114, 129, 138] and related references therein.



**2.5. Chu's double inequality.** In 1962, by discussing that  $b_{n+1}(c) \stackrel{\geq}{\leq} b_n(c)$  if and only if  $(1-4c)n+1-3c \stackrel{\geq}{\leq} 0$ , where

$$b_n(c) = \frac{(2n-1)!!}{(2n)!!} \sqrt{n+c}, \quad (2.25)$$

it was demonstrated in [36, Theorem 1] that

$$\frac{1}{\sqrt{\pi[n+(n+1)/(4n+3)]}} < \frac{(2n-1)!!}{(2n)!!} < \frac{1}{\sqrt{\pi(n+1/4)}}, \quad n \in \mathbb{N}. \quad (2.26)$$

As an application of (2.26), by using  $\Gamma(\frac{1}{2}) = \sqrt{\pi}$  and (1.2), the following double inequality

$$\sqrt{\frac{2n-3}{4}} < \frac{\Gamma(n/2)}{\Gamma(n/2-1/2)} \leq \sqrt{\frac{(n-1)^2}{2n-1}}. \quad (2.27)$$

for positive integers  $n \geq 2$  was given in [36, Theorem 2].

*Remark 2.5.1.* After letting  $x = \frac{n-1}{2}$  the inequality (2.27) becomes

$$\sqrt{x - \frac{1}{4}} < \frac{\Gamma(x+1/2)}{\Gamma(x)} < \frac{x}{\sqrt{x+1/4}}, \quad (2.28)$$

which is same as (2.10).

*Remark 2.5.2.* When  $n$  is large enough, the lower bound in (2.26) is better than the one in (3.6).

*Remark 2.5.3.* Any one of the bounds in (2.28) may be derived from the other one by Boyd's method in [21] (see Section 3.4), by Shanbhag's technique in [153] (see Section 3.5), by Raja Rao's technique in [142] (see Section 3.10), or by Slavić's method in [154] (see Section 3.10), or by the  $\beta$ -transform in Section 4.1. This implies that the double inequality (2.27) is equivalent to the inequality (2.8).

*Remark 2.5.4.* The double inequality (2.26) and the right-hand side inequality in (2.27) are a recovery of (2.9) and (2.8) respectively. Notice that the reasoning directions in the two papers [36, 58] are opposite:

$$\frac{(2n-1)!!}{(2n)!!} \stackrel{[36]}{\geq} \frac{\Gamma(n/2)}{\Gamma(n/2-1/2)} \stackrel{[58]}{\leq}. \quad (2.29)$$

This confirms again what says in Remark 2.3.3.

*Remark 2.5.5.* The idea of Chu's proof in [36, Theorem 1] has the same spirit as Kershaw's in [64]. See Section 3.11.

**2.6. Zimring's inequality.** In 1962, Zimring obtained in [168, p. 88] that

$$\frac{\Gamma(n+r)}{n!} \leq \frac{n^r - (n-1)^r}{r} \quad (2.30)$$

for  $0 < r < 1$  and  $n \in \mathbb{N}$ .

*Remark 2.6.1.* From (1.2) it is easy to see that  $n! = \Gamma(n+1)$ . Hence, the inequality (2.30) can be rearranged as

$$\frac{\Gamma(n+1)}{\Gamma(n+r)} \geq \frac{r}{n^r - (n-1)^r} \quad (2.31)$$

for  $0 < r < 1$  and  $n \in \mathbb{N}$ . Although the inequality (2.30) or (2.31) is not better than the left-hand side inequality in (2.19) or (2.20), since its motivation is particular, it is believed that it was obtained independently, and so the paper [168] can also be regarded as an origin of this topic.

### 2.7. Further remarks.

*Remark 2.7.1.* To the best of our knowledge and understanding, two evidences that there was no a cross-citation between them and that their motivations are different convince us to believe that the above origins are independent. Actually, the very real origin(s) may not be found out forever.

*Remark 2.7.2.* Except Wendel's result, all inequalities above take values on  $\mathbb{N}$ , the set of positive integers. In other words, only Wendel's double inequality (2.6), the earliest result on this topic, takes values on  $(0, \infty)$ , the set of real numbers.

*Remark 2.7.3.* As one will see, in the history of this topic, the works by Wendel, Gurland and Zimring did not become a source of bounding the ratio of two gamma functions.

*Remark 2.7.4.* In [39], some of the extensive previous background of the papers [62, 156] was outlined.

*Remark 2.7.5.* Currently, we may conclude that the very origins of bounding the ratio of two gamma functions are asymptotic analysis, estimation of Wallis' cosine formula, estimation of  $\pi$ , and mathematical statistics.

*Remark 2.7.6.* The bounds for the ratio of two gamma functions should satisfy one or several of the following conditions:

- (1) The bounds should be easily computed by hand or by computers.
- (2) Sharper the bounds are, better the bounds are.
- (3) The bounds should be simple in form.
- (4) The bounds should be beautiful in form.
- (5) The bounds should be expressed by elementary functions or any other easily calculated functions.
- (6) The bounds is of some recurrent or symmetric properties.
- (7) The bounds should have origin(s) and background(s).
- (8) The bounds should have application(s) in mathematics or mathematical sciences.

Maybe these standards are also suitable for judging any other inequalities and estimates in mathematics.

## 3. REFINEMENTS AND EXTENSIONS

In this section, the refinements and extensions of bounds for the ratio of two gamma functions from 1959 will be collected, to the best of my ability.

**3.1. Watson's monotonicity result.** In 1959, motivated by the result in [62], mentioned in Section 2.3, and basing on Gauss' Theorem (1.13), G. N. Watson

observed in [156] that

$$\begin{aligned} \frac{[\Gamma(x+1)]^2}{x[\Gamma(x+1/2)]^2} &= {}_2F_1\left(-\frac{1}{2}, -\frac{1}{2}; x; 1\right) \\ &= 1 + \frac{1}{4x} + \frac{1}{32x(x+1)} + \sum_{r=3}^{\infty} \frac{[(-1/2) \cdot (1/2) \cdot (3/2) \cdot (r-3/2)]^2}{r!x(x+1) \cdots (x+r-1)} \end{aligned} \quad (3.1)$$

for  $x > -\frac{1}{2}$ , which implies the much general function

$$\theta(x) = \left[ \frac{\Gamma(x+1)}{\Gamma(x+1/2)} \right]^2 - x, \quad (3.2)$$

ever discussed in [62] or Section 2.3 as a special case  $\theta(n)$  for  $n \in \mathbb{N}$ , for  $x > -\frac{1}{2}$  is decreasing and with

$$\lim_{x \rightarrow \infty} \theta(x) = \frac{1}{4} \quad \text{and} \quad \lim_{x \rightarrow (-1/2)^+} \theta(x) = \frac{1}{2}. \quad (3.3)$$

This apparently implies the sharp inequalities

$$\frac{1}{4} < \theta(x) < \frac{1}{2} \quad (3.4)$$

for  $x > -\frac{1}{2}$ ,

$$\sqrt{x + \frac{1}{4}} < \frac{\Gamma(x+1)}{\Gamma(x+1/2)} \leq \sqrt{x + \frac{1}{4} + \left[ \frac{\Gamma(3/4)}{\Gamma(1/4)} \right]^2} = \sqrt{x + 0.36423 \cdots} \quad (3.5)$$

for  $x \geq -\frac{1}{4}$ , and, by (1.5),

$$\frac{1}{\sqrt{\pi(n+4/\pi-1)}} \leq \frac{(2n-1)!!}{(2n)!!} < \frac{1}{\sqrt{\pi(n+1/4)}}, \quad n \in \mathbb{N}. \quad (3.6)$$

In [156], an alternative proof of the double inequality (3.4) was provided as follows: Let

$$f(x) = \frac{2}{\sqrt{2}} \int_0^{\pi/2} \cos^{2x} t \, dt = \frac{2}{\sqrt{2}} \int_0^{\infty} \exp(-xt^2) \frac{t \exp(-t^2/2)}{\sqrt{1 - \exp(-t^2)}} \, dt \quad (3.7)$$

for  $x > \frac{1}{2}$ . By using the fairly obvious inequalities

$$\sqrt{1 - \exp(-t^2)} \leq t \quad (3.8)$$

and

$$\frac{t \exp(-t^2/4)}{\sqrt{1 - \exp(-t^2)}} = \frac{t}{\sqrt{2 \sinh(t^2/2)}} \leq 1, \quad (3.9)$$

we have, for  $x > -\frac{1}{4}$ ,

$$\frac{1}{\sqrt{\pi}} \int_0^{\infty} \exp(-(x+1/2)t^2) \, dt < f(x) < \frac{1}{\sqrt{\pi}} \int_0^{\infty} \exp(-(x+1/4)t^2) \, dt,$$

that is to say

$$\frac{1}{\sqrt{x+1/2}} < f(x) < \frac{1}{\sqrt{x+1/4}}. \quad (3.10)$$

*Remark 3.1.1.* In [156, p. 8], the following interesting relation was provided:

$$x + \theta(x) = \frac{x^2}{x - 1/2 + \theta(x - 1/2)} \quad (3.11)$$

for appropriate ranges of values of  $x$ .

*Remark 3.1.2.* The formula (3.1) would be used in [21] to obtain the inequality (3.22).

*Remark 3.1.3.* The function  $\theta(x)$  defined by (3.2) was extended and studied in [25, 43, 71, 100, 107, 116, 121, 126] later.

*Remark 3.1.4.* It is easy to see that the inequality (3.5) extends and improves (2.6) if  $s = \frac{1}{2}$ , say nothing of (2.19) and (2.20) if  $s = \frac{1}{2}$ .

*Remark 3.1.5.* The left-hand side inequality in (3.6) is better than the corresponding one in (2.13) but worse than the corresponding one in (2.9) for  $n \geq 2$ .

*Remark 3.1.6.* The double inequality (3.6) for bounding Wallis' formula (1.5) was recovered, refined or generalized recently in [24, 29, 30, 31, 32, 34, 35, 66, 114, 167] and related references therein. For more information on bounds for Wallis' formula (1.5), please refer to Section 2.2, Section 2.3 and Section 7.4 of this paper.

*Remark 3.1.7.* It is easy to see that

$$\frac{\theta(x)}{x} + 1 = \frac{\Gamma(x)\Gamma(x+1)}{[\Gamma(x+1/2)]^2} \quad (3.12)$$

which is a special case of Gurland's ratio

$$T(x, y) = \frac{\Gamma(x)\Gamma(y)}{[\Gamma((x+y)/2)]^2} \quad (3.13)$$

defined first in [57] for positive numbers  $x$  and  $y$ .

The formula (3.12) reveals that bounds for Gurland's ratio  $T(x, y)$  can be reduced to bounds for  $\frac{\Gamma(x)}{\Gamma(x+1/2)}$ .

For more information on bounding Gurland's ratio, please refer to [23, 45, 84, 85] and related references therein. However, there does not exist a general identity similar to (3.12) between Gurland's ratio and the ratio of two gamma functions. As a result, considering the limitation of length of this paper, new developments on Gurland's ratio (3.13) will not be involved in detail.

**3.2. Erber's inequality.** Gurland proved in [57] that

$$\frac{[\Gamma(\delta + \alpha)]^2}{\Gamma(\delta)\Gamma(\delta + 2\alpha)} \leq \frac{\delta}{\delta + \alpha^2}, \quad (3.14)$$

where  $\alpha \neq 0$ ,  $\alpha + 2\delta > 0$  and  $\delta > 0$ . In [45], the following results were derived from the right-hand side inequality in (2.20) and (3.14):

- (1) Taking in (3.14)  $\delta = n \in \mathbb{N}$  and  $\alpha = \frac{s+1}{2}$  for  $s \in (0, 1)$  and rearranging lead to

$$\frac{\Gamma(n+1)}{\Gamma(n+s)} < \frac{4(n+s)}{4n+(s+1)^2} \left[ \frac{\Gamma(n+1)}{\Gamma(n+(1+s)/2)} \right]^2, \quad 0 < s < 1, \quad n \in \mathbb{N}.$$

Since  $0 < \frac{1+s}{2} < 1$ , applying the right-hand side inequality in (2.20) to the ratio in the bracket yields a strengthened upper bound of (2.20)

$$\frac{\Gamma(n+1)}{\Gamma(n+s)} < \frac{4(n+s)}{4n+(s+1)^2}(n+1)^{1-s}, \quad 0 < s < 1, \quad n \in \mathbb{N}. \quad (3.15)$$

(2) If letting  $\delta = n$  and  $0 < s = \alpha < 1$  in (3.14) and using the right-hand side inequality in (2.20), then

$$\frac{\Gamma(n+s)}{\Gamma(n+2s)} < \frac{(n+1)^{1-s}}{n+s^2}, \quad 0 < s < 1, \quad n \in \mathbb{N}. \quad (3.16)$$

(3) After  $k+1$  iterations of the above process, it was obtained that

$$\frac{\Gamma(n+s)}{\Gamma(n+2s)} < \frac{(n+1)^{1-s}}{(n+s^2)R(n,s,k)} \quad (3.17)$$

and

$$\frac{\Gamma(n+1)}{\Gamma(n+s)} < \frac{(n+1)^{1-s}}{R(n,s,k)}, \quad (3.18)$$

where

$$R(n,s,k) = \prod_{i=0}^k \left\{ \frac{n + [(s + 2^{i+1} - 1)/2^{i+1}]^2}{n + (s + 2^i - 1)/2^i} \right\}^{2^i} \quad (3.19)$$

for  $n, k \in \mathbb{N}$  and  $0 < s < 1$ .

In the final of [45], it was pointed out that it is ready to verify that the limit  $\lim_{k \rightarrow \infty} R(n,s,k)$  exists and that it would be interesting to know the value of this infinite product in closed form.

*Remark 3.2.1.* It is easy to observe that bounds for Gurland's ratio provide a method to refine bounds for ratio of two gamma functions. Conversely, it is also done.

**3.3. Uppuluri's bounds.** If  $X$  is a random variable defined on a probability space and  $E$  denotes the expectation operator, then  $\{E|X|^r\}^{1/r}$  is a nondecreasing function of  $r > 0$ . See [75, p. 156]. Using this conclusion, the double inequality (2.6) was recovered in [146] for  $x > 0$  and  $0 \leq s \leq 1$ , which sharpens the inequality (2.20) given in [47].

Following the same lines as in [45] or Section 3.2, after  $k+1$  iterations, Rao Uppuluri further obtained in [146] that

$$\frac{\Gamma(x+1)}{\Gamma(x+s)} < \frac{[x + (s-1 + 2^{k+1})/2^{k+1}]^{1-s}}{R(x,s,k)} \quad (3.20)$$

and

$$\frac{\Gamma(x+s)}{\Gamma(x+2s)} < \frac{[x + (s-1 + 2^{k+1})/2^{k+1}]^{1-s}}{(x+s^2)R(x,s,k)} \quad (3.21)$$

for  $x > 0$ ,  $0 \leq s \leq 1$  and  $k \in \mathbb{N}$ , which improve inequalities (3.17) and (3.18).

*Remark 3.3.1.* In [153, p. 48], Shanbhag pointed out that the discussion concerning (3.20) and (3.21) in [146] is misleading.

**3.4. Uppuluri-Boyd's double inequality.** Motivated by (2.11) and the results in [58] (see Section 2.2), a false double inequality was obtained in [148], but it was corrected by different methods respectively in [21] and [147] as follows:

$$\sqrt{n + \frac{1}{4} + \frac{1}{32(n+1)}} < \frac{\Gamma(n+1)}{\Gamma(n+1/2)} < \frac{n+1/2}{\sqrt{n+3/4+1/(32n+48)}} \quad (3.22)$$

for  $n \in \mathbb{N}$ .

After pointed out the error appeared in [148], the left-hand side inequality in (3.22) was first proved in [21] by making use of (3.1), and then the right-hand side inequality in (3.22) was established by considering

$$\frac{\Gamma(n+1)}{\Gamma(n+1/2)} = \frac{n+1/2}{\Gamma(n+3/2)/\Gamma(n+1)} \quad (3.23)$$

and utilizing the left-hand side inequality in (3.22).

Influenced by [21], the inequality (3.22) was recovered in [147] by the same method, using the Battacharya bounds for the variance of an unbiased estimator, as in [148].

*Remark 3.4.1.* V. R. Rao Uppuluri claimed in [148] to have established

$$\frac{\Gamma(n+1)}{\Gamma(n+1/2)} > \left( n + \frac{1}{4} + \frac{9}{48n+32} \right)^{1/2}$$

for  $n \in \mathbb{N}$ . A. V. Boyd [21] pointed out that this inequality is incorrect, as can be easily showed by numerical calculation for  $n = 1$ , and showed by (3.1) that it is not possible to have

$$\frac{\Gamma(n+1)}{\Gamma(n+1/2)} > \left( n + \frac{1}{4} + \frac{1}{an+b} \right)^{1/2}$$

for all positive integers  $n$  if  $a < 32$ .

*Remark 3.4.2.* The technique used in (3.23) was employed once again in [154], see also Section 3.10, and summarized in [85] as the so-called  $\beta$ -transform and  $\pi_n$ -transform, see also Section 4.

*Remark 3.4.3.* It is obvious that the lower bound in (3.22) is better than the corresponding ones in (2.6), (2.8) and (2.10), (2.19) and (2.20), (2.27) and (2.28), (2.30) and (2.31), and (3.5).

**3.5. Shanbhag's inequalities.** Motivated by [146], it was first pointed out in [153] that the right-hand side inequality in (2.6) may be deduced from the left-hand side inequality in (2.6) by observing

$$\frac{\Gamma((x+s)+1)}{\Gamma((x+s)+(1-s))} \geq (x+s)^{1-(1-s)} \iff \frac{(x+s)\Gamma(x+s)}{\Gamma(x+1)} \geq (x+s)^s. \quad (3.24)$$

Then, by (2.6) and the technique stated in (3.24), a more general double inequality was established:

$$\alpha_0(x, s) < \alpha_1(x, s) < \cdots < \frac{\Gamma(x+1)}{\Gamma(x+s)} < \cdots < \beta_1(x, s) < \beta_0(x, s), \quad (3.25)$$

where

$$\alpha_k(x, s) = \frac{(x+k)^{1-s}(x+s+k-1)^{(k)}}{(x+k)^{(k)}}, \quad (3.26)$$

$$\beta_k(x, s) = \frac{(x+k+s)^{1-s}(x+s+k-1)^{(k)}}{(x+k)^{(k)}} \quad (3.27)$$

for  $k \geq 0$ , and  $y^{(m)}$  is equal to 1 if  $m = 0$  and equal to  $y(y-1)\cdots(y-m+1)$  if  $m \geq 1$ .

From the inequality (3.25), the following corollaries were deduced in [153]:

(1) If  $x \notin \mathbb{N}$ , then

$$\theta_0(x) < \theta_1(x) < \cdots < \gamma(x) < \cdots < \xi_1(x) < \xi_0(x), \quad (3.28)$$

where

$$\theta_k(x) = \frac{(x+k)^{x-[x]}([x]+k)!}{(x+k)^{(k+1)}} \quad (3.29)$$

and

$$\xi_k(x) = \frac{([x]+k+1)^{x-[x]}([x]+k)!}{(x+k)^{(k+1)}} \quad (3.30)$$

for all nonnegative integer  $k$  and  $[x]$  being the largest integer less than  $x$ .

(2) If  $0 < s \leq 1$ , then

$$s + \frac{1}{s} - 1 < \Gamma(s) < \frac{1}{s}. \quad (3.31)$$

(3) If  $x > 0$ ,  $0 < s < 1$  and  $k$  is a nonnegative integer, then

$$\eta_0(x, s) < \eta_1(x, s) < \cdots < \frac{\Gamma(x+s)}{\Gamma(x+2s)} < \cdots < \rho_1(x, s) < \rho_0(x, s), \quad (3.32)$$

where

$$\eta_k(x, s) = \frac{(x+s+k)^{1-s}(x+2s+k-1)^{(k)}}{(x+s+k)^{(k+1)}} \quad (3.33)$$

and

$$\rho_k(x, s) = \frac{(x+2s+k)^{1-s}(x+2s+k-1)^{(k)}}{(x+s+k)^{(k+1)}}. \quad (3.34)$$

It was also proved in [153] that

$$\beta_0(x, s) < T_0(x, s) < T_1(x, s) < \cdots \quad (3.35)$$

and

$$\rho_0(x, s) < P_0(x, s) < P_1(x, s) < \cdots, \quad (3.36)$$

where

$$T_k(x, s) = \frac{[x + (s-1+2^{k+1})/2^{k+1}]^{1-s}}{R(x, s, k)} \quad (3.37)$$

and

$$P_k(x, s) = \frac{T_k(x, s)}{x+s^2} \quad (3.38)$$

for  $x > 0$ ,  $0 < s < 1$  and  $k$  is a nonnegative integer, hence D. N. Shanbhag pointed out in [153, p. 48] that the discussion concerning (3.20) and (3.21) in [146] is misleading.

*Remark 3.5.1.* The method used in [153] is same as the technique utilizing in (3.23) which has been summarized as the  $\pi_n$ -transform  $\Pi(x, \beta, n)$  in Section 4.2.

**3.6. Raja Rao's results.** Based on [47, 146, 153] and by using Liapounoff's inequality and probability distribution functions, the double inequalities (2.20) and (3.25) was recovered in [142].

It was also showed in [142] that

$$\beta_k(x, s) = \frac{x + s}{\alpha_k(x + s, 1 - s)}, \quad (3.39)$$

so the inequality (3.25) can be written as

$$\alpha_k(x, s) \leq \frac{\Gamma(x + 1)}{\Gamma(x + s)} \leq \frac{x + s}{\alpha_k(x + s, 1 - s)}. \quad (3.40)$$

Moreover, the following double inequalities on the hypergeometric functions were also obtained in [142]:

$$\frac{\Gamma(x + 1)}{\Gamma(x + s)}(x + s + k)^{s-1} \leq {}_2F_1(-k, 1 - s; x + 1; 1) \leq \frac{\Gamma(x + 1)}{\Gamma(x + s)}(x + k)^{s-1}, \quad (3.41)$$

$$\frac{x + k}{x + k + 1} \leq \left[ \frac{{}_2F_1(-k - 1, 1 - s; x + 1; 1)}{{}_2F_1(-k, 1 - s; x + 1; 1)} \right]^{1/(1-s)} \leq \frac{x + s + k}{x + s + k + 1}, \quad (3.42)$$

where  $x > 0$ ,  $0 \leq s \leq 1$ ,  $k = 0, 1, 2, \dots$  and  ${}_2F_1(a, b; c; 1)$  is the hypergeometric function defined by (1.13).

In [141, 143, 144, 145], Raja Rao established some generalized inequalities and analogues for incomplete gamma functions, Beta functions and hypergeometric functions, similar to the double inequality (2.6).

**3.7. Kečkić-Vasić's double inequality.** In 1971, by considering monotonic properties of

$$x + \ln \Gamma(x) - x \ln x + \alpha \ln x \quad (3.43)$$

on  $(1, \infty)$  for  $\alpha = \frac{1}{2}$  or 1 respectively, among other things, Kečkić and Vasić gave in [63, Theorem 1] the following double inequality for  $b > a > 1$ :

$$\frac{b^{b-1}}{a^{a-1}} e^{a-b} < \frac{\Gamma(b)}{\Gamma(a)} < \frac{b^{b-1/2}}{a^{a-1/2}} e^{a-b}. \quad (3.44)$$

*Remark 3.7.1.* Taking  $b = x + 1$  and  $b = x + s$  in Kečkić-Vasić's double inequality (3.44) gives

$$\frac{(x + 1)^x}{(x + s)^{x+s-1}} e^{-(1-s)} < \frac{\Gamma(x + 1)}{\Gamma(x + s)} < \frac{(x + 1)^{x+1/2}}{(x + s)^{x+s-1/2}} e^{-(1-s)} \quad (3.45)$$

for  $0 < s < 1$  and  $x > 0$ .

*Remark 3.7.2.* In [63], inequalities in (3.44) were compared with those in (2.20), (2.27) and (2.30). For example, if taking  $b = \frac{n}{2}$  and  $a = \frac{n-1}{2}$  and letting  $n$  large enough, then the double inequality (3.44) is not sharper than (2.27), say nothing of the inequality (3.22).

*Remark 3.7.3.* For more information on extensions and refinements of the inequality (3.44), please refer to Remark 3.15.2 and Section 5.



**3.8. Amos' sharp upper bound.** In 1973, in an appendix of the paper [10], starting with the asymptotic expansion

$$\ln \Gamma(z) = \left(z - \frac{1}{2}\right) \ln z - z + \frac{1}{2} \ln(2\pi) + \frac{1}{12z} - \frac{1}{360z^3} + R \quad (3.46)$$

for  $z > 0$  and estimate  $R$  by the next term  $|R| \leq \frac{1}{1260z^5}$ , see [1, p. 257, 6.1.42], the following inequality was established in [10, pp. 425–427]:

$$\frac{[\Gamma(x+1)]^2}{[\Gamma(x+1/2)]^2} < x \left(1 + \frac{1}{4x} + \frac{1}{32x^2} - \frac{1}{128x^3} + \frac{6}{5x^4}\right) \quad (3.47)$$

for  $x \geq 2$ . This expression is asymptotically correct in all terms except the last.

*Remark 3.8.1.* In virtue of the techniques used in [21, 142, 153], a lower bound for (3.47) can be procured from its upper bound.

**3.9. Lazarević-Lupaş's convexity.** In 1974, among other things, the function

$$\theta_\alpha(x) = \left[\frac{\Gamma(x+1)}{\Gamma(x+\alpha)}\right]^{1/(1-\alpha)} - x \quad (3.48)$$

on  $(0, \infty)$  for  $\alpha \in (0, 1)$  was claimed in [71, Theorem 2] to be decreasing and convex, and so

$$\frac{\alpha}{2} < \left[\frac{\Gamma(x+1)}{\Gamma(x+\alpha)}\right]^{1/(1-\alpha)} - x \leq [\Gamma(\alpha)]^{1/(1-\alpha)}. \quad (3.49)$$

*Remark 3.9.1.* Although Lazarević-Lupaş's proof given in [71] on monotonic and convex properties of  $\theta_\alpha(x)$  is wrong, as commented in [43, p. 240], but these properties are correct, as we know now.

*Remark 3.9.2.* Taking  $\alpha = \frac{1}{2}$  in (3.48) leads to Watson's monotonicity result in Section 3.1, but the range of  $x$  here is slightly smaller. Note that Watson did not discuss in [156] the convex property of the function  $\theta(x)$  defined by (3.2).

*Remark 3.9.3.* The function  $\theta_\alpha(x)$  would be extended and the same properties would be verified in [25, 43, 116, 126]. See Section 3.19.1 and Section 6.1.

*Remark 3.9.4.* It seems that the problem discussed in [71, Theorem 1] on characterization of the gamma function was further carried out by Merkle in [81, 85] and Lorch in [76] and related references therein.

**3.10. Slavić's double inequalities.** In 1975, by virtue of (1.2), the following implications were pointed out in [154, p. 19]:

$$f(x) \leq \frac{\Gamma(x+1)}{\Gamma(x+1/2)} \Rightarrow \frac{\Gamma(x+1)}{\Gamma(x+1/2)} \leq \frac{x+1/2}{f(x+1/2)}, \quad (3.50)$$

$$\frac{\Gamma(x+1)}{\Gamma(x+1/2)} \leq g(x) \Rightarrow \frac{x}{g(x-1/2)} \leq \frac{\Gamma(x+1)}{\Gamma(x+1/2)}. \quad (3.51)$$

In particular, adopting

$$g(x) = \sqrt{x + \frac{1}{4} + \frac{1}{32x+8}} \quad (3.52)$$

in (3.51) leads to

$$\sqrt{x + \frac{1}{4} + \frac{1}{32x+8+36/(4x-1)}} < \frac{\Gamma(x+1)}{\Gamma(x+1/2)} < \sqrt{x + \frac{1}{4} + \frac{1}{32x+8}}. \quad (3.53)$$

On basis of Duplication formula (1.7) and Binet's first formula (1.9), the following integral representation was also given in [154]:

$$\frac{\Gamma(x+1)}{\Gamma(x+1/2)} = \sqrt{x} \exp \left\{ \sum_{k=1}^n \frac{(1-2^{-2k})B_{2k}}{k(2k-1)x^{2k-1}} \right. \\ \left. \times \int_0^\infty \left[ \frac{\tanh t}{2t} - \sum_{k=1}^n \frac{2^{2k}(2^{2k}-1)B_{2k}}{2 \cdot (2k)!} t^{2k-2} \right] e^{-4tx} dt \right\}, \quad (3.54)$$

from which, a more accurate double inequality was procured:

$$\sqrt{x} \exp \left( \sum_{k=1}^{2m} \frac{(1-2^{-2k})B_{2k}}{k(2k-1)x^{2k-1}} \right) < \frac{\Gamma(x+1)}{\Gamma(x+1/2)} \\ < \sqrt{x} \exp \left( \sum_{k=1}^{2\ell-1} \frac{(1-2^{-2k})B_{2k}}{k(2k-1)x^{2k-1}} \right) \quad (3.55)$$

for  $x > 0$ , where  $m$  and  $\ell$  are natural numbers and  $B_{2k}$  for  $k \in \mathbb{N}$  are Bernoulli numbers.

*Remark 3.10.1.* Why can the function  $g(x)$  in (3.51) be taken as (3.52)? There was no any clue to it in [154], but the double inequality (3.53) is surely sound.

*Remark 3.10.2.* What are the ranges of  $x$  in the double inequalities (3.50), (3.51) and (3.53)? These were not provided explicitly in [154]. As we know now, the double inequality (3.53) is valid for  $x > -\frac{1}{4}$ .

*Remark 3.10.3.* It was claimed in [154] that inequalities in (3.53) is sharper than those in (3.22) and many other inequalities mentioned above. In fact, it is true.

*Remark 3.10.4.* It was also claimed in [154] that inequalities in (3.55) are sharper than those in (3.53), but there was no a proof supplied in it.

*Remark 3.10.5.* It is conjectured that the constants 32 and 8 in the upper bound of (3.53) are the best possible.

*Remark 3.10.6.* The lower bound in (3.53) would be refined by the corresponding one in (7.25) obtained in [162, Theorem 1].

*Remark 3.10.7.* The method showed by (3.50) and (3.51) had been used in [21, 142, 153] when proving the double inequality (3.22) and it was summarized in [85] as the  $\beta$ -transform in Section 4.1.

**3.11. Kershaw's double inequalities and proofs.** In 1983, motivated by the inequality (2.19) in [47], Kershaw presented in [64] the following two double inequalities for  $0 < s < 1$  and  $x > 0$ :

$$\left( x + \frac{s}{2} \right)^{1-s} < \frac{\Gamma(x+1)}{\Gamma(x+s)} < \left[ x - \frac{1}{2} + \left( s + \frac{1}{4} \right)^{1/2} \right]^{1-s}, \quad (3.56)$$

$$\exp \left[ (1-s)\psi(x+\sqrt{s}) \right] < \frac{\Gamma(x+1)}{\Gamma(x+s)} < \exp \left[ (1-s)\psi \left( x + \frac{s+1}{2} \right) \right]. \quad (3.57)$$

They are called in the literature Kershaw's first and second double inequalities respectively, although the order of these two inequalities (3.56) and (3.57) reverses the original order in [64].

*Kershaw's proof for (3.56) and (3.57).* Define the functions  $f_\alpha$  and  $g_\beta$  by

$$f_\alpha(x) = \frac{\Gamma(x+1)}{\Gamma(x+s)} \exp((s-1)\psi(x+\alpha)) \quad (3.58)$$

and

$$g_\beta(x) = \frac{\Gamma(x+1)}{\Gamma(x+s)} (x+\beta)^{s-1} \quad (3.59)$$

for  $x > 0$  and  $0 < s < 1$ , where the parameters  $\alpha$  and  $\beta$  are to be determined.

It is not difficult to show, with the aid of Stirling's formula (1.4), that

$$\lim_{x \rightarrow \infty} f_\alpha(x) = \lim_{x \rightarrow \infty} g_\beta(x) = 1. \quad (3.60)$$

Now let

$$F(x) = \frac{f_\alpha(x)}{f_\alpha(x+1)} = \frac{x+s}{x+1} \exp \frac{1-s}{x+\alpha}. \quad (3.61)$$

Then

$$\frac{F'(x)}{F(x)} = (1-s) \frac{(\alpha^2 - s) + (2\alpha - s - 1)x}{(x+1)(x+s)(x+\alpha)^2}.$$

It is easy to show that

- (1) if  $\alpha = s^{1/2}$ , then  $F'(x) < 0$  for  $x > 0$ ;
- (2) if  $\alpha = \frac{s+1}{2}$ , then  $F'(x) > 0$  for  $x > 0$ .

Consequently if  $\alpha = s^{1/2}$  then  $F$  strictly decreases, and since  $F(x) \rightarrow 1$  as  $x \rightarrow \infty$  it follows that  $F(x) > 1$  for  $x > 0$ . But, from (3.60), this implies that  $f_\alpha(x) > f_\alpha(x+1)$  for  $x > 0$ , and so  $f_\alpha(x) > f_\alpha(x+n)$ . Take the limit as  $n \rightarrow \infty$  to give the result that  $f_\alpha(x) > 1$ , which can be rewritten as the left-hand side inequality in (3.57). The corresponding upper bound can be verified by a similar argument when  $\alpha = \frac{s+1}{2}$ , the only difference being that in this case  $f_\alpha$  strictly increases to unity.

To prove the double inequality (3.56) define

$$G(x) = \frac{g_\beta(x)}{g_\beta(x+1)} = \frac{x+s}{x+1} \left( \frac{x+\beta+1}{x+\beta} \right)^{1-s}, \quad (3.62)$$

from which it follows that

$$\frac{G'(x)}{G(x)} = \frac{(1-s)[(\beta^2 + \beta - s) + (2\beta - s)x]}{(x+1)(x+s)(x+\beta)(x+\beta+1)}.$$

This will leads to

- (1) if  $\beta = \frac{s}{2}$ , then  $G'(x) < 0$  for  $x > 0$ ;
- (2) if  $\beta = -\frac{1}{2} + (s + \frac{1}{4})^{1/2}$ , then  $G'(x) > 0$  for  $x > 0$ .

The same arguments which were used on  $F$  can now be used on  $G$  to give the double inequality (3.56).  $\square$

*Remark 3.11.1.* The limits in (3.60) can also be derived by using (1.10).

*Remark 3.11.2.* Since the limits in (3.60) hold, the left-hand side inequality in (3.56) and the right-hand side inequality in (3.57) are immediate consequences of the fact that  $f_{(s+1)/2}$  and  $g_{s/2}$  are decreasing on  $(0, \infty)$ .

*Remark 3.11.3.* The spirit of Kershaw's proof is similar to Chu's in [36, Theorem 1]. See also Section 2.5.

*Remark 3.11.4.* The method used by Kershaw in [64] to prove (3.56) and (3.57) was utilized to construct many similar inequalities in several papers such as [50, 69, 76]. See Remark 3.13.1.

*Remark 3.11.5.* It is easy to see that the inequality (3.56) refines and extends the inequality (2.6), say nothing of (2.20).

*Remark 3.11.6.* Since the function  $Q(x)$  defined by (2.23) was proved in [119, Theorem 2] to be strictly decreasing on  $(-1, \infty)$ , the functions

$$h_{1;s}(x) = e^{\psi(x+\sqrt{s})} - \left(x + \frac{s}{2}\right) = e^{\psi(x+\sqrt{s})} - (x + \sqrt{s} - 1) - \frac{s}{2} + \sqrt{s} - 1$$

for  $x > -\sqrt{s}$  and

$$\begin{aligned} h_{2;s}(x) &= e^{\psi(x+(s+1)/2)} - \left[x - \frac{1}{2} + \left(s + \frac{1}{4}\right)^{1/2}\right] \\ &= e^{\psi(x+(s+1)/2)} - \left(x + \frac{s+1}{2} - 1\right) - \left(s + \frac{1}{4}\right)^{1/2} + \frac{s}{2} \end{aligned}$$

for  $x > -\frac{s+1}{2}$ , where  $0 < s < 1$ , are both strictly decreasing. From (2.24), it follows that

$$\lim_{x \rightarrow \infty} h_{1;s}(x) = \sqrt{s} - \frac{s+1}{2} < 0 \quad \text{and} \quad \lim_{x \rightarrow \infty} h_{2;s}(x) = \frac{s+1}{2} - \left(s + \frac{1}{4}\right)^{1/2} < 0$$

for  $0 < s < 1$ . It is apparent that

$$h_{1;s}(0) = e^{\psi(\sqrt{s})} - \frac{s}{2} \triangleq h_1(s)$$

and

$$h_{2;s}(0) = e^{\psi((s+1)/2)} + \frac{1}{2} - \left(s + \frac{1}{4}\right)^{1/2} \triangleq h_2(s)$$

for  $0 < s < 1$ . Direct computation gives

$$\lim_{s \rightarrow 1^-} h_1(s) = e^{-\gamma} - \frac{1}{2} > 0 \quad \text{and} \quad \lim_{s \rightarrow 0^+} h_2(s) = e^{\psi(1/2)} > 0.$$

These calculations show that neither (3.56) nor (3.57) is the outright winner. When  $x$  is large enough, the lower bound in (3.57) is not better than the one in (3.56), but the upper bound in (3.57) is better than the one in (3.56).

*Remark 3.11.7.* Kershaw proved in [64] that if  $2x + s \geq 1$  and  $0 < s < 1$  then the lower bound in Kershaw's first double inequality (3.56) is an improvement over the lower bound in (3.45).

*Remark 3.11.8.* In [64], Kershaw compared his upper bounds with Erber's inequality (3.15), but it is sure that there may be some wrong with his arguments.

**3.12. Lorch's double inequality.** In 1984, by initially unaware utilization of Kershaw's method in [64], see also Section 3.11, Lorch gave in [76] the following results: For non-negative integers  $k \geq 0$ , the upper bound in the inequality

$$\left(k + \frac{s}{2}\right)^{s-1} < \frac{\Gamma(k+s)}{\Gamma(k+1)} < (k+s)^{s-1} \quad (3.63)$$

is valid for all  $s > 1$ , the lower bound in (3.63) is valid for  $1 < s < 2$ , the left-hand side inequality in (3.63) reverses for  $s > 2$ , the double inequality (3.63) reverses for  $0 < s < 1$ .

*Remark 3.12.1.* For  $0 < s < 1$ , the double inequality (3.63) is not better than (3.56) for  $0 < s < 1$ , but the range of the parameter  $s$  was extended.

*Remark 3.12.2.* In the special case in which  $s = \frac{1}{2}$ , the inequalities in (3.63) had been established first by Kazarinoff in [62] and then by Watson in [156]. From Watson's monotonicity result in Section 3.1, the upper bounds in (3.56) for  $s = \frac{1}{2}$  and (3.63) may be derived.

*Remark 3.12.3.* The motivation of Lorch's in [76] was to refine an inequality for ultra-spherical polynomials. Inequalities in (3.63) were used in [76] to obtain a very interesting sharpened inequality for ultra-spherical polynomials:

$$(\sin \theta)^\lambda |P_n^{(\lambda)}(\cos \theta)| < \frac{2^{1-\lambda}}{\Gamma(\lambda)} (n + \lambda)^{\lambda-1}, \quad (3.64)$$

where  $\theta \in [0, \pi]$  and

$$P_n^{(\lambda)}(x) = \sum_{k=0}^{[n/2]} (-1)^k \frac{\Gamma(n - k + \lambda)}{\Gamma(\lambda)\Gamma(k + 1)\Gamma(n - 2k + 1)} (2x)^{n-2k} \quad (3.65)$$

for  $n \geq 0$  being an integer and  $\lambda > 0$  being a real number. The inequality (3.64) refines the Bernstein inequality

$$(\sin \theta)^\lambda |P_n^{(\lambda)}(\cos \theta)| < \frac{2^{1-\lambda}}{\Gamma(\lambda)} n^{\lambda-1} \quad (3.66)$$

for  $n \geq 0$ ,  $0 < \lambda < 1$  and  $0 \leq \theta \leq \pi$ . Earlier in 1975, Durand generalized in [40] the Bernstein inequality (3.66) and, as a consequence of (23) in [40], the following inequality may be derived

$$(\sin \theta)^\lambda |P_n^{(\lambda)}(\cos \theta)| < \frac{\Gamma(n/2 + \lambda)}{\Gamma(\lambda)\Gamma(n/2 + 1)} \quad (3.67)$$

for  $n \geq 0$ ,  $0 < \lambda < 1$  and  $0 \leq \theta \leq \pi$ . For more information on further refinements of the Bernstein inequality (3.66), please refer to [48, pp. 388–389] and the related references therein.

**3.13. Laforgia's inequalities.** In 1984, starting from [47, 64, 76, 156] and employing more carefully Kershaw's and Lorch's method in [64, 76], by discussing the monotonicity of the function  $G(x)$  defined by (3.62) more delicately, Laforgia constructed in [69] a number of inequalities of the type

$$(x + \alpha)^{\alpha-1} < \frac{\Gamma(x + s)}{\Gamma(x + 1)} < (x + \beta)^{\alpha-1} \quad (3.68)$$

for  $s > 0$  and real number  $x \geq 0$ .

*Remark 3.13.1.* As in [69], thorough analyses of Kershaw's and Lorch's method had been carried out continuously in [49, 50, 95] and [48, pp. 389–390] respectively.

*Remark 3.13.2.* By discussing (3.61) subtly, the double inequality (3.57) was extended on  $s$  in [50, Section 5].

**3.14. Dutka's double inequality.** In 1985, some of the extensive previous background of the papers [62, 156] associated with bounding Wallis's cosine formula or Wallis' product formula was outlined in [39].

On the other hand, by using continued fraction expansions for the quotient of beta functions, several bounds for the sequence  $\theta(n)$  defined by (2.12), or the function  $\theta(x)$  defined by (3.2), or the function  $\theta_\alpha(x)$  defined by (3.48) were established in [39]: For  $n \in \mathbb{N}$ ,

$$\left(1 + \frac{1}{2n}\right)^{1/2} < \frac{\theta(n)}{n} + 1 < \left(1 - \frac{1}{2n}\right)^{-1/2}, \quad (3.69)$$

$$\frac{4n+3}{2(8n+5)} < \theta(n) < \frac{2n}{8n-1}, \quad (3.70)$$

$$\frac{8n^2+13n+6}{32n^2+48n+19} < \theta(n) < \frac{8n+3}{8(4n+1)}, \quad (3.71)$$

and inequalities in (2.7) and (2.26) were recovered.

*Remark 3.14.1.* The left-hand side inequality in (3.4) and (3.70) is better than the one in (3.69), the right-hand side inequalities in (3.69) and (3.70) are better than the corresponding one in (3.4), and the right-hand side inequality in (3.70) is better than the corresponding one in (3.69).

**3.15. Ismail-Lorch-Muldoon's monotonicity results.** In 1986, the logarithmically completely monotonic properties of three functions related to the gamma function or its ratio were obtained in [60, Theorem 2.1, Theorem 2.4 and Theorem 2.6]:

(1) The function

$$x^\alpha \Gamma(x) \left(\frac{e}{x}\right)^x \quad (3.72)$$

is logarithmically completely monotonic on  $(0, \infty)$  if and only if  $\alpha \leq \frac{1}{2}$ , so is the reciprocal of the function (3.72) if and only if  $\alpha \geq 1$ ;

(2) The function

$$x^{b-a} \frac{\Gamma(x+a)}{\Gamma(x+b)} \quad (3.73)$$

for  $a > b \geq 0$  is logarithmically completely monotonic on  $(0, \infty)$  if and only if  $a + b \geq 1$ ;

(3) Let

$$\frac{t^{x^\delta}}{\Gamma(x^\delta + 1)} = e^{-h(x)} \quad (3.74)$$

for  $0 < t \leq e^{-\gamma}$ .

- (a) For  $0 < \delta \leq \frac{1}{2}$ , the function  $h(x)$  is positive and  $h'(x)$  is completely monotonic on  $(0, \infty)$ ;
- (b) For  $\delta = 1$ , the functions  $h(x)$  and  $h'(x)$  are both positive and  $h''(x)$  is completely monotonic on  $(0, \infty)$ .

It was conjectured in [60, p. 8] that  $h''(x)$  remains completely monotonic for at least some values of  $\delta > 1$ .

*Remark 3.15.1.* The logarithmically completely monotonic properties of the function (3.72) was also proved in [91] early in 1978. See also [61, Theorem 2.1].

*Remark 3.15.2.* It is clear that the logarithm of the function (3.72) for  $\alpha = \frac{1}{2}$  or 1 equals the function (3.43). Therefore, the monotonic properties of the function (3.72) may be used to derive the double inequality (3.44) for  $b > a > 0$  and to show the best possibilities of the constants  $\frac{1}{2}$  and 1 in (3.44).

*Remark 3.15.3.* Since the limit (1.10) is valid, from the decreasingly monotonic property of the function (3.73), it follows that

$$x^{a-b} < \frac{\Gamma(x+a)}{\Gamma(x+b)} < \frac{x^{a-b}}{x_0^{a-b}} \cdot \frac{\Gamma(x_0+a)}{\Gamma(x_0+b)} \quad (3.75)$$

for  $a > b \geq 0$  and  $a+b \geq 1$  holds on  $[x_0, \infty)$  for any  $x_0 > 0$ . It is obvious that this extends the left-hand side inequalities in (2.6), (2.19) and (2.20).

*Remark 3.15.4.* The conclusions in [60], mentioned above, were not stated using the terminology “logarithmically completely monotonic function”, since the authors were not aware of the paper [14] and related papers such as [19, 112, 118, 124, 125, 136] have not been published then.

**3.16. Bustoz-Ismail’s monotonicity results.** In 1986, it was revealed in [23] that

(1) the function

$$f(x) = \frac{1}{(x+c)^{1/2}} \cdot \frac{\Gamma(x+1)}{\Gamma(x+1/2)}, \quad x > \max\left\{-\frac{1}{2}, -c\right\} \quad (3.76)$$

is logarithmically completely monotonic on  $(-c, \infty)$  if  $c \leq \frac{1}{4}$ , so is the reciprocal of (3.76) on  $[-\frac{1}{2}, \infty)$  if  $c \geq \frac{1}{2}$ ;

(2) the function

$$(x+c)^{a-b} \frac{\Gamma(x+b)}{\Gamma(x+a)} \quad (3.77)$$

for  $1 \geq b-a > 0$  is logarithmically completely monotonic on the interval  $(\max\{-a, -c\}, \infty)$  if  $c \leq \frac{a+b-1}{2}$ , so is the reciprocal of (3.77) on  $(\max\{-b, -c\}, \infty)$  if  $c \geq a$ ;

(3) the functions

$$\frac{\Gamma(x+s)}{\Gamma(x+1)} \exp\left[(1-s)\psi\left(x+\frac{s+1}{2}\right)\right] \quad (3.78)$$

and

$$\frac{\Gamma(x+s)}{\Gamma(x+1)} \left(x+\frac{s}{2}\right)^{s-1} \quad (3.79)$$

for  $0 < s < 1$  are logarithmically completely monotonic on  $(0, \infty)$ ;

(4) the functions

$$\frac{\Gamma(x+1)}{\Gamma(x+s)} \exp((s-1)\psi(x+\sqrt{s})) \quad (3.80)$$

and

$$\left(x-\frac{1}{2}+\sqrt{s+\frac{1}{4}}\right)^{1-s} \frac{\Gamma(x+s)}{\Gamma(x+1)} \quad (3.81)$$

for  $0 < s < 1$  are strictly decreasing on  $(0, \infty)$ .

*Remark 3.16.1.* The monotonic properties of the function (3.76) implies inequalities (3.4) and (3.70).

*Remark 3.16.2.* These monotonicity results generalize, extend and refine inequalities (2.6), (2.19), (2.20), (3.56), (3.57), monotonic properties of the function (3.73), and so on.

**3.17. Alzer's monotonicity result.** In 1993, it was obtained in [8, Theorem 1] that

$$\frac{\Gamma(x+s)}{\Gamma(x+1)} \frac{(x+1)^{x+1/2}}{(x+s)^{x+s-1/2}} \exp\left(s-1 + \frac{\psi'(x+1+\alpha) - \psi'(x+s+\alpha)}{12}\right) \quad (3.82)$$

for  $\alpha > 0$  and  $s \in (0, 1)$  is logarithmically completely monotonic on  $(0, \infty)$  if and only if  $\alpha \geq \frac{1}{2}$ , so is the reciprocal of (3.82) for  $\alpha \geq 0$  and  $s \in (0, 1)$  if and only if  $\alpha = 0$ .

In [74, Theorem 3], a slight extension of [8, Theorem 1] was presented: The function

$$\frac{\Gamma(x+s)}{\Gamma(x+t)} \frac{(x+t)^{x+t-1/2}}{(x+s)^{x+s-1/2}} \exp\left(s-t + \frac{\psi'(x+t+\alpha) - \psi'(x+s+\alpha)}{12}\right) \quad (3.83)$$

for  $0 < s < t$  and  $x \in (0, \infty)$  is logarithmically completely monotonic if and only if  $\alpha \geq \frac{1}{2}$ , so is the reciprocal of (3.83) if and only if  $\alpha = 0$ .

The decreasingly monotonic properties of (3.83) and its reciprocal imply that

$$\begin{aligned} \exp\left(t-s + \frac{\psi'(x+s+\beta) - \psi'(x+t+\beta)}{12}\right) &\leq \frac{\Gamma(x+s)}{\Gamma(x+t)} \frac{(x+t)^{x+t-1/2}}{(x+s)^{x+s-1/2}} \\ &\leq \exp\left(t-s + \frac{\psi'(x+s+\alpha) - \psi'(x+t+\alpha)}{12}\right) \end{aligned} \quad (3.84)$$

for  $\alpha > \beta \geq 0$  are valid for  $0 < s < t$  and  $x \in (0, \infty)$  if and only if  $\beta = 0$  and  $\alpha \geq \frac{1}{2}$ .

*Remark 3.17.1.* The inequality (3.84) is a slight extension of the double inequality (2.6) in [8, Corollary 2].

*Remark 3.17.2.* In [8, Theorem 4], Kečkić-Vasić's double inequality (3.44) for  $b > a > 1$  was refined and sharpened. For detailed information see Section 5.2.

**3.18. Ismail-Muldoon's monotonicity result.** In 1994, it was obtained in [61, Corollary 2.4] that: For  $a > 0$ , the function

$$\frac{x^{\alpha-x}\Gamma(x)}{(x+a)^{\alpha-x-a}\Gamma(x+a)} \quad (3.85)$$

is logarithmically completely monotonic on  $(0, \infty)$  if and only if  $\alpha \leq \frac{1}{2}$ , and so is the reciprocal of (3.85) if and only if  $\alpha \geq 1$ .

**3.19. Elezović-Giordano-Pečarić's results.**

3.19.1. A standard argument shows that the inequality (3.56) can be rearranged as

$$\frac{s}{2} < \left[\frac{\Gamma(x+1)}{\Gamma(x+s)}\right]^{1/(1-s)} - x < \sqrt{s + \frac{1}{4}} - \frac{1}{2}. \quad (3.86)$$

Therefore, monotonic and convex properties of the general function

$$z_{s,t}(x) = \begin{cases} \left[\frac{\Gamma(x+t)}{\Gamma(x+s)}\right]^{1/(t-s)} - x, & s \neq t \\ e^{\psi(x+s)} - x, & s = t \end{cases} \quad (3.87)$$



for  $x \in (-\alpha, \infty)$ , where  $s$  and  $t$  are two real numbers and  $\alpha = \min\{s, t\}$ , was considered in [43, Theorem 1] and obtained the following theorem.

**Theorem 3.1.** *The function  $z_{s,t}(x)$  is either convex and decreasing for  $|t - s| < 1$  or concave and increasing for  $|t - s| > 1$ .*

As consequences of Theorem 3.1, the following useful conclusions are derived:

(1) The function

$$e^{\psi(x+t)} - x \quad (3.88)$$

for all  $t > 0$  is decreasing and convex from  $(0, \infty)$  onto  $(e^{\psi(t)}, t - \frac{1}{2})$ .

(2) For all  $x > 0$ ,

$$\psi'(x)e^{\psi(x)} < 1. \quad (3.89)$$

(3) For all  $x > 0$  and  $t > 0$ ,

$$\ln\left(x + t - \frac{1}{2}\right) < \psi(x + t) < \ln\left(x + e^{\psi(t)}\right). \quad (3.90)$$

(4) For  $x > -\alpha$ , the inequality

$$\left[\frac{\Gamma(x+t)}{\Gamma(x+s)}\right]^{1/(t-s)} < \frac{t-s}{\psi(x+t) - \psi(x+s)} \quad (3.91)$$

holds if  $|t - s| < 1$  and reverses if  $|t - s| > 1$ .

*Remark 3.19.1.* Direct computation yields

$$\frac{z''_{s,t}(x)}{z_{s,t}(x) + x} = \left[\frac{\psi(x+t) - \psi(x+s)}{t-s}\right]^2 + \frac{\psi'(x+t) - \psi'(x+s)}{t-s}. \quad (3.92)$$

To prove the positivity of the function (3.92), the following formula and inequality are used as basic tools in the proof of [43, Theorem 1]:

(1) For  $x > -1$ ,

$$\psi(x+1) = -\gamma + \sum_{k=1}^{\infty} \left(\frac{1}{k} - \frac{1}{x+k}\right). \quad (3.93)$$

(2) If  $a \leq b < c \leq d$ , then

$$\frac{1}{ab} + \frac{1}{cd} > \frac{1}{ac} + \frac{1}{bd}. \quad (3.94)$$

*Remark 3.19.2.* In [126], a new proof for [43, Theorem 1] were supplied by making use of (1.28) and Theorem 1.2 on the logarithmically convex properties of  $q_{\alpha,\beta}(t)$ .

Note that a similar proof to [126] for [43, Theorem 1] in the case of  $|s - t| < 1$  was also given in [25].

*Remark 3.19.3.* Actually, the function (3.92) is completely monotonic under some conditions about  $s$  and  $t$ . This was verified in [100, 107, 121], and so several new proofs for [43, Theorem 1] were supplied again. See Section 6.2.

*Remark 3.19.4.* The inequality (3.89) was recovered in [18, Lemma 1.2].

*Remark 3.19.5.* It is easy to see that Elezović-Giordano-Pečarić's first main result generalizes Watson's monotonicity result in [156] and Lazarević-Lupaş's convexity result in [71]. See Section 3.1 and Section 3.9.

*Remark 3.19.6.* In fact, the function (3.88) is decreasing and convex on  $(-t, \infty)$  for all  $t \in \mathbb{R}$ . See [119, Theorem 2].

*Remark 3.19.7.* It is clear that the double inequality (3.90) can be deduced directly from the decreasingly monotonic property of (3.88). Furthermore, from the decreasingly monotonic and convex properties of (3.88) on  $(-t, \infty)$ , the inequality (3.89) and

$$\psi''(x) + [\psi'(x)]^2 > 0 \quad (3.95)$$

on  $(0, \infty)$  can be derived straightforwardly.

*Remark 3.19.8.* The inequality (3.89) and (3.95) were recovered [7, p. 208] and [18, Lemma 1.1]. The inequality (3.95) has been generalized to the completely monotonic properties of divided differences of  $\psi(x)$  and  $\psi'(x)$  in [100, 107, 121]. See Section 6.2.

3.19.2. It is easy to see that inequality (3.57) can be rewritten for  $s \in (0, 1)$  and  $x \geq 1$  as

$$\exp[\psi(x + \sqrt{s})] < \left[ \frac{\Gamma(x+1)}{\Gamma(x+s)} \right]^{1/(1-s)} < \exp\left[\psi\left(x + \frac{s+1}{2}\right)\right]. \quad (3.96)$$

Now it is natural to ask: What are the best constants  $\delta_1(s, t)$  and  $\delta_2(s, t)$  such that

$$\exp[\psi(x + \delta_1(s, t))] \leq \left[ \frac{\Gamma(x+t)}{\Gamma(x+s)} \right]^{1/(t-s)} \leq \exp[\psi(x + \delta_2(s, t))] \quad (3.97)$$

holds for  $x > -\min\{s, t, \delta_1(s, t), \delta_2(s, t)\}$ ? where  $s$  and  $t$  are two real numbers.

Elezović-Giordano-Pečarić's answer is [43, Theorem 4]: If the integral  $\psi$ -mean of  $s$  and  $t$  is denoted by

$$I_\psi = I_\psi(s, t) = \psi^{-1}\left(\frac{1}{t-s} \int_s^t \psi(u) \, du\right), \quad (3.98)$$

then the inequality

$$\psi(x + I_\psi(s, t)) < \frac{1}{t-s} \int_s^t \psi(x+u) \, du < \psi\left(x + \frac{s+t}{2}\right) \quad (3.99)$$

is valid for every  $x \geq 0$  and positive numbers  $s$  and  $t$ .

*Remark 3.19.9.* It is clear that Elezović-Giordano-Pečarić's second main result [43, Theorem 4] is not the outright winner surely, since the ranges of  $s$  and  $t$  in (3.99) is restricted to be positive and the lower bound in (3.99) can not be calculated easily.

*Remark 3.19.10.* The question (3.97) was also investigated in [97, 115] and has been generalized in [102, 106, 130, 131, 137]. See Section 6.4.1 and Section 6.4.2.

3.19.3. The function (3.78) and its monotonic properties were generalized in [43, Theorem 5] and [126, Proposition 5] as follows: The function

$$\left[ \frac{\Gamma(x+t)}{\Gamma(x+s)} \right]^{1/(s-t)} \exp\left(\psi\left(x + \frac{s+t}{2}\right)\right) \quad (3.100)$$

is logarithmically completely monotonic for  $x \in (-\alpha, \infty)$ , where  $s$  and  $t$  are two real numbers and  $\alpha = \min\{s, t\}$ .

*Remark 3.19.11.* In [126, Proposition 5], as a consequence of the logarithmically complete property of the function (3.100), the right-hand side inequality in (3.96) was extended as

$$\exp\left[\psi\left(x + \frac{s+t}{2}\right)\right] > \left[\frac{\Gamma(x+t)}{\Gamma(x+s)}\right]^{1/(t-s)}. \quad (3.101)$$

**3.20. Some results from the viewpoint of means.** It may be worthwhile mentioning the paper [105] in which some monotonic properties and inequalities for the gamma and incomplete gamma functions were constructed by using properties of extended mean values  $E(r, s; x, y)$  or generalized weighted mean values  $M_{f,g}(r, s; x, y)$ . For example, the inequality

$$e^{\gamma x} < \Gamma(x+1) < e^{x\psi(x+1)} \quad (3.102)$$

is valid for  $x > 0$  and the functions

$$\left[\frac{\Gamma(s, x)}{\Gamma(r, x)}\right]^{1/(s-r)} \quad \text{and} \quad \left[\frac{\gamma(s, x)}{\gamma(r, x)}\right]^{1/(s-r)} \quad (3.103)$$

are increasing in  $r > 0$ ,  $s > 0$  and  $x > 0$ , where  $\Gamma(s, x)$  and  $\gamma(s, x)$  denote the incomplete gamma functions with usual notation.

*Remark 3.20.1.* The right-hand side inequality in (3.102) is valid for  $x > -1$  and takes an equality at  $x = 0$ . Moreover, it can be rearranged by (1.2) and (1.3) as

$$x\Gamma(x) \leq e^{x\psi(x)+1}, \quad x > -1. \quad (3.104)$$

But this inequality is not better than those in [52] for bounding the gamma function  $\Gamma(x)$ .

**3.21. Batir's double inequality.** It is clear that the double inequality (3.57) can be rearranged as

$$\psi(x + \sqrt{s}) < \frac{\ln \Gamma(x+1) - \ln \Gamma(x+s)}{1-s} < \psi\left(x + \frac{s+1}{2}\right) \quad (3.105)$$

for  $0 < s < 1$  and  $x > 1$ . The middle term in (3.105) can be regarded as a divided difference of the function  $\ln \Gamma(t)$  on the interval  $(x+s, x+1)$ . Motivated by this, Batir generalized and extended in [16, Theorem 2.7] the double inequality (3.105) as

$$-|\psi^{(n+1)}(L_{-(n+2)}(x, y))| < \frac{|\psi^{(n)}(x)| - |\psi^{(n)}(y)|}{x-y} < -|\psi^{(n+1)}(A(x, y))| \quad (3.106)$$

which bounds the divided differences of the polygamma functions, where  $x$  and  $y$  are positive numbers,  $n$  a positive integer,  $A(x, y)$  and  $L_p(a, b)$  are defined by (1.29).

*Remark 3.21.1.* In [17, Theorem 2.4], the following incorrect double inequality was obtained:

$$e^{(x-y)\psi(L(x+1, y+1)-1)} \leq \frac{\Gamma(x)}{\Gamma(y)} \leq e^{(x-y)\psi(A(x, y))}, \quad (3.107)$$

where  $x$  and  $y$  are positive real numbers, and  $L(x, y)$  and  $A(x, y)$  are mean values defined in Section 1.6.4.

*Remark 3.21.2.* Inequalities in (3.106) and (3.107) have been corrected and refined in [102, 106, 130, 131, 137] respectively. See Section 6.4.2.

### 3.22. Further remarks.

*Remark 3.22.1.* In [163, 164], by using a method of the geometric convexity for functions, the authors presented some known and new results on the ratio of two gamma functions, including a refinement of (3.6).

*Remark 3.22.2.* In [28], the authors investigated some general cases seemingly related with the ratio of two gamma functions but essentially similar to the  $f$ -means in [44] and some results appeared in [16, 17, 18].

## 4. MERKLE'S METHODS AND INEQUALITIES

It is known that M. Merkle did many researches on bounding the ratio of two gamma functions and has his own particular methods, approaches and notations, therefore, this section is devoted to summarize his results and to present his methods on this topic.

M. Merkle himself said in [85] that his method is founded on certain general convexity results, as well as on integral representations of error terms in some classical and related inequalities.

**4.1. The  $\beta$ -transform.** This transform has been known since [21, 142, 153, 154], see the inequality (3.22) in Section 3.4 and the inequalities (3.50) and (3.51) in Section 3.10.

The inequality

$$A(x, \beta) \leq \frac{\Gamma(x + \beta)}{\Gamma(x)} \quad (4.1)$$

implies, replacing  $x$  by  $x + \beta$  and  $\beta$  by  $1 - \beta$ ,

$$A(x + \beta, 1 - \beta) \leq \frac{\Gamma(x + 1)}{\Gamma(x + \beta)}, \quad (4.2)$$

and therefore

$$\frac{\Gamma(x + \beta)}{\Gamma(x)} \leq \frac{x}{A(x + \beta, 1 - \beta)}, \quad (4.3)$$

so, only the lower bound (4.1) is enough, or vice versa. It is said that the inequality (4.3) is derived from (4.1) by a  $\beta$ -transform.

**4.2. The  $\pi_n$ -transform.** This transform was firstly applied in [142, 153], see also Section 3.5 and Section 3.6. It works for inequalities of both the ratio of two gamma functions and Gurland's ratio.

For  $n \in \mathbb{N}$ , let

$$\Pi(x, \beta, n) = \frac{x(x+1) \cdots (x+n-1)}{(x+\beta)(x+\beta+1) \cdots (x+\beta+n-1)}. \quad (4.4)$$

Start from the inequality

$$\frac{\Gamma(x + \beta)}{\Gamma(x)} \leq B(x, \beta), \quad (4.5)$$

write it for  $x + n$  and  $\beta$  and then apply the recurrence (1.2), to obtain

$$\frac{\Gamma(x + \beta)}{\Gamma(x)} \leq B(x + n, \beta) \Pi(x, \beta, n), \quad (4.6)$$

Similarly, for an inequality

$$\frac{\Gamma(x)\Gamma(y)}{[\Gamma((x+y)/2)]^2} \leq B(x, y) \quad (4.7)$$

one obtains

$$\frac{\Gamma(x)\Gamma(y)}{[\Gamma((x+y)/2)]^2} \leq B(x+n, y+n)\rho(x, y, n), \quad (4.8)$$

where

$$\rho(x, y, n) = \frac{(x+y)^2(x+y+2)^2 \cdots (x+y+2n-2)^2}{2^{2n}x(x+1) \cdots (x+n-1)y(y+1) \cdots (y+n-1)}. \quad (4.9)$$

*Remark 4.2.1.* The  $\beta$ -transform and the  $\pi_n$ -transform are connected closely. The techniques among these transforms are essentially the same, that is, using the formula (1.2) iteratively.

**4.3. Convexities used by Merkle.** The following texts are the main conclusions that M. Merkle used in his papers bounding the ratio of two gamma functions.

4.3.1. Let  $f : I \subseteq \mathbb{R} \rightarrow \mathbb{R}$  have a continuous derivative  $f'$  and let

$$F(x, y) = \frac{f(y) - f(x)}{y - x} \quad (4.10)$$

on  $I^2$  for  $x \neq y$ , and  $F(x, x) = f'(x)$ . Then it was obtained in [81, pp. 273–274] that the following conclusions are equivalent to each other:

- (1)  $f'$  is convex on  $I$ .
- (2)  $f'(\frac{x+y}{2}) \leq F(x, y)$  for all  $x, y$  of  $I$ .
- (3)  $F(x, y) \leq \frac{f'(x)+f'(y)}{2}$  for all  $x, y$  of  $I$ .
- (4)  $F$  is convex on  $I^2$ .
- (5)  $F$  is Schur-convex on  $I^2$ .

4.3.2. The function

$$\ln \Gamma(x) - \left(x - \frac{1}{2}\right) \ln x + x - \frac{1}{2} \ln(2\pi) - \sum_{k=1}^n \frac{B_{2k}}{2k(2k-1)x^{2k-1}} \quad (4.11)$$

is convex on  $(0, \infty)$  if  $n$  is even and it is concave if  $n$  is odd. See [86, p. 372].

*Remark 4.3.1.* The completely monotonic properties of the function (4.11) were proved in [6, p. 383, Theorem 8] and [67].

4.3.3. The following convex properties were proved by [83, Theorem 1]: If

$$F_a(x) = \ln \Gamma(x) - \left(x - \frac{1}{2}\right) \ln x - \frac{1}{12} \psi'(x+a), \quad (4.12)$$

then the function  $F_0(x)$  is strictly concave and the function  $F_a(x)$  for  $a \geq \frac{1}{2}$  is strictly convex on  $(0, \infty)$ .

**4.4. Discrete inequalities produced by convexities.** By utilizing the above convex properties or their corresponding concave properties, the following discrete inequalities for bounding the ratio of two gamma functions were demonstrated in term of Merkle's own expressions, notations and style.

4.4.1. In 1996, the following recurrent conclusions were obtained by using the convexity of the function (4.11) in [86, Theorem 2]: Let  $B_{2k}$  be Bernoulli numbers,  $L_0(x) = 0$ ,

$$L(x) = L_{2n}(x) = - \sum_{k=1}^{2n} \frac{B_{2k}}{2k(2k-1)x^{2k-1}}, \quad n \in \mathbb{N}, \quad (4.13)$$

$$R(x) = R_{2n+1}(x) = - \sum_{k=1}^{2n+1} \frac{B_{2k}}{2k(2k-1)x^{2k-1}}, \quad n \in \mathbb{N} \cup \{0\}, \quad (4.14)$$

$$U(x, \beta, S) = S(x) - \beta S(x-1+\beta) - (1-\beta)S(x+\beta), \quad (4.15)$$

$$V(x, \beta, S) = -U(x+\beta, 1-\beta, S) = (1-\beta)S(x) + \beta S(x+1) - S(x+\beta), \quad (4.16)$$

$$A(x, \beta) = \frac{[(x-1+\beta)^\beta(x+\beta)^{1-\beta}]^{x-1/2+\beta}}{x^{x-1/2}}, \quad x > 1-\beta, \quad (4.17)$$

$$B(x, \beta) = \frac{x}{A(x+\beta, 1-\beta)} = \frac{(x+\beta)^{x+\beta-1/2}x^\beta}{x^{(1-\beta)(x-1/2)}(x+1)^{\beta(x+1/2)}}, \quad x > 0. \quad (4.18)$$

Then for  $\beta \in [0, 1]$  and  $x > 1-\beta$ , we have

$$e^{U(x, \beta, L(x))} A(x, \beta) \leq \frac{\Gamma(x+\beta)}{\Gamma(x)} \leq e^{V(x, \beta, L(x))} B(x, \beta), \quad (4.19)$$

$$e^{V(x, \beta, R(x))} B(x, \beta) \leq \frac{\Gamma(x+\beta)}{\Gamma(x)} \leq e^{U(x, \beta, R(x))} A(x, \beta). \quad (4.20)$$

With equalities if and only if  $\beta = 0$  and  $\beta = 1$ . As  $x \rightarrow \infty$ , the absolute and relative error in all four inequalities tends to zero.

In [86, Theorem 3], it was obtained that: For  $x \geq \frac{1-\beta}{2}$  and  $\beta \in [0, 1]$ ,

$$\frac{\Gamma(x+\beta)}{\Gamma(x)} \geq \left( x - \frac{1-\beta}{2} + \frac{1-\beta^2}{24x+12} \right)^\beta, \quad (4.21)$$

with equality if and only if  $\beta = 0$  and  $\beta = 1$ .

4.4.2. In 1998, by the convexity of  $\ln \Gamma(x)$  and convex properties mentioned in Section 4.3.1, the following inequalities were obtained in [81]:

(1) For positive numbers  $x$  and  $y$ ,

$$\frac{\psi(x) + \psi(y)}{2} \leq \frac{\ln \Gamma(y) - \ln \Gamma(x)}{y-x} = \frac{1}{y-x} \int_x^y \psi(u) \, du \leq \psi\left(\frac{x+y}{2}\right). \quad (4.22)$$

If letting  $y = x + \beta$  for  $\beta > 0$  in (4.22), then

$$\exp\left(\frac{\beta[\psi(x) + \psi(x+\beta)]}{2}\right) \leq \frac{\Gamma(x+\beta)}{\Gamma(x)} \leq \exp\left(\beta\psi\left(x + \frac{\beta}{2}\right)\right). \quad (4.23)$$

(2) For  $x > 0$  and  $0 \leq \beta \leq 1$ ,

$$\frac{\Gamma(x+\beta)}{\Gamma(x)} \geq \frac{x^{(1+\beta)(2-\beta)/2}(x+1)^{\beta(1+\beta)/2}}{x+\beta} \quad (4.24)$$

The equalities in (4.24) hold for  $\beta = 0$  and  $\beta = 1$ .

(3) For  $x > 0$  and  $0 \leq \beta \leq 1$ ,

$$\frac{\Gamma(x+\beta)}{\Gamma(x)} \geq x^{\beta^2} e^{\beta(1-\beta)\psi(x)}. \quad (4.25)$$

(4) For  $x > 0$  and  $\beta < \frac{1}{2}$ ,

$$\frac{\Gamma(x + \beta)}{\Gamma(x)} \leq x^{-\beta^2/(1-2\beta)} \exp\left(\frac{\beta(1-\beta)}{1-2\beta} \psi(x + \beta)\right). \quad (4.26)$$

(5) For  $x > 0$  and  $\beta > 0$ ,

$$\frac{\Gamma(x + 3\beta)}{\Gamma(x)} \leq \left(\frac{\Gamma(x + 2\beta)}{\Gamma(x + \beta)}\right)^2. \quad (4.27)$$

(6) For  $x > 0$ ,

$$\ln\left(x - \frac{1}{2}\right) \leq \psi \leq \ln x - \frac{1}{2x}. \quad (4.28)$$

*Remark 4.4.1.* The lower bound in (4.25) is closer than the one in (4.23). The upper bound in (4.23) was also obtained in [47]. The lower bound in (4.23) is closer than a lower bound in [47].

4.4.3. The inequality in the right-hand side of (2.19), the double inequality (3.57) and (3.84) for  $t = 1$  are rewritten in [83] as

$$\frac{\Gamma(x + \beta)}{\Gamma(x)} < \exp(\beta\psi(x + \beta)), \quad 0 < \beta < 1, \quad x > 0; \quad (4.29)$$

$$\exp\left(\beta\psi\left(x + \beta - 1 + \sqrt{1 - \beta}\right)\right) < \frac{\Gamma(x + \beta)}{\Gamma(x)} < \exp\left(\beta\psi\left(x + \frac{\beta}{2}\right)\right) \quad (4.30)$$

for  $0 < \beta < 1$  and  $x - 1 + \beta > 0$ ; and

$$\begin{aligned} \frac{(x + \beta)^{x+\beta-1/2}}{x^{x-1/2}} \exp\left(-\beta + \frac{\psi'(x + \beta) - \psi'(x)}{12}\right) &< \frac{\Gamma(x + \beta)}{\Gamma(x)} \\ &< \frac{(x + \beta)^{x+\beta-1/2}}{x^{x-1/2}} \exp\left(-\beta + \frac{\psi'(x + \beta + a) - \psi'(x + a)}{12}\right) \end{aligned} \quad (4.31)$$

for  $\beta \in (0, 1)$ ,  $x - 1 + \beta > 0$  and  $a \geq \frac{1}{2}$ .

By using the convex properties of  $F_a(x)$  defined by (4.12) and the mean value theorem for derivative, the double inequality (4.31) was extended in [83, Corollary 1] to  $x > 0$ ,  $\beta > 0$  and  $a \geq \frac{1}{2}$ .

By making use of the convex properties of  $F_a(x)$  defined by (4.12) and Jensen's inequality for convex functions, the following double inequalities were presented in [83, Corollary 2]:

(1) If  $\beta \in (0, 1)$  and  $s \geq \frac{1}{2}$ , then

$$\begin{aligned} A(x, \beta) \exp\left(\frac{\beta\psi'(x + a - 1 + \beta) + (1 - \beta)\psi'(x + a + \beta) - \psi'(x + a)}{12}\right) &< \\ \frac{\Gamma(x + \beta)}{\Gamma(x)} &< A(x, \beta) \exp\left(\frac{\beta\psi'(x - 1 + \beta) + (1 - \beta)\psi'(x + \beta) - \psi'(x)}{12}\right) \end{aligned} \quad (4.32)$$

holds for  $x > 1 - \beta$ , where  $A(x, \beta)$  is defined by (4.17).

(2) If  $\beta \in (0, 1)$  and  $s \geq \frac{1}{2}$ , then

$$\begin{aligned} B(x, \beta) \exp\left(\frac{\psi'(x + \beta) - (1 - \beta)\psi'(x) - \beta\psi'(x + 1)}{12}\right) &< \frac{\Gamma(x + \beta)}{\Gamma(x)} \\ &< B(x, \beta) \exp\left(\frac{\psi'(x + a + \beta) - (1 - \beta)\psi'(x + a) - \beta\psi'(x + a + 1)}{12}\right) \end{aligned} \quad (4.33)$$

holds for  $x > 0$ , where  $B(x, \beta)$  is defined by (4.18).

(3) If  $\beta > 1$ , then the reversed inequalities of (4.32) and (4.33) hold for  $x > 0$ .

In [83, Theorem 1], it was proved that the double inequality (4.33) for  $\beta \in (0, 1)$  and  $x > 0$  is sharper than (4.31).

It is pointed out that an advantage of inequalities based on convexity is that they can be infinitely sharpened. As an example, the following inequality was showed in [83, Theorem 3]: For any  $x > 0$  and  $\beta \in (0, 1)$ , the inequality

$$\frac{\Gamma(x + \beta)}{\Gamma(x)} < \frac{x(x + 1) \cdots (x + n - 1)A(x + n, \beta)}{(x + \beta)(x + \beta + 1) \cdots (x + \beta + n - 1)} \times \exp\left(\frac{\beta\psi'(x + n - 1 + \beta) + (1 - \beta)\psi'(x + n + \beta) - \psi'(x + n)}{12}\right) \quad (4.34)$$

holds for  $n \in \mathbb{N}$ .

By proving the fact that the function (4.10) applied to  $f(x) = \ln \Gamma(x)$  is Schur-convex for  $x > 0$  and  $y > 0$ , the inequality (4.23) was recovered in [83, Corollary 3] and was proved in [83, Theorem 5] to be sharper than (4.30).

4.4.4. In 1999, Merkle used in [88, Section 4] only the convex property of  $\ln \Gamma(x)$  to discover the left-hand side of Wendel's double inequality (2.6) and

$$\frac{\Gamma(x + \beta)}{\Gamma(x)} \leq (x + n)^\beta \Pi(x, \beta, n), \quad x > 0, \quad \beta \in [0, 1]; \quad (4.35)$$

$$\frac{\Gamma(x + \beta)}{\Gamma(x)} \geq (x - 1 + \beta)^\beta, \quad x > 0, \quad \beta \in [0, 1]; \quad (4.36)$$

$$\frac{\Gamma(x + \beta)}{\Gamma(x)} \geq (x + n - 1 + \beta)^\beta \Pi(x, \beta, n), \quad x > 0, \quad \beta \in [0, 1]; \quad (4.37)$$

$$\frac{\Gamma(x + \beta)}{\Gamma(x)} \geq [x(x - 1 + \beta)]^{\beta/2}, \quad x > 0, \quad \beta \in [0, 1]; \quad (4.38)$$

$$\frac{\Gamma(y)}{\Gamma(x)} \geq [(x - 1)y]^{(y-x)/2}, \quad 0 < x < y. \quad (4.39)$$

It is easy to see that (4.38) is sharper than (4.36) and (4.39); however, (4.39) is not restricted to  $y - x \leq 1$ .

4.4.5. In [82], the author rediscovered by the same method as in [81, 83, 86] the inequalities (4.28), (4.23), (4.27) and gave by using the  $\beta$ -transform the following inequalities

$$\begin{aligned} \Pi(x, n, \beta) \exp\left(\frac{\beta[\psi(x + n) + \psi(x + n + \beta)]}{2}\right) &\leq \frac{\Gamma(x + \beta)}{\Gamma(x)} \\ &\leq \Pi(x, n, \beta) \exp\left(\beta\psi\left(x + n + \frac{\beta}{2}\right)\right) \end{aligned} \quad (4.40)$$

and

$$\ln\left(x + n - \frac{1}{2}\right) - \sum_{k=0}^{n-1} \frac{1}{x + k} \leq \psi(x) \leq \ln(x + n) - \frac{1}{2(x + n)} - \sum_{k=0}^{n-1} \frac{1}{x + k}. \quad (4.41)$$



#### 4.5. Further remarks.

*Remark 4.5.1.* Actually, a wonderful survey of Merkle's methods, tools and techniques which can be used to produce inequalities for the gamma function has been given in [85]. Therefore, the readers should refer to [85] for the very real ideas and spirits of Professor M. Merkle.

### 5. REFINEMENTS AND EXTENSIONS OF KEČKIĆ-VASIĆ'S INEQUALITY

Due to the importance of Kečkić-Vasić's double inequality (3.44) and the enrichment of results on it, now we devote this special section to this topic.

**5.1. An extension and the sharpness.** In Section 3.7, Kečkić-Vasić's double inequality (3.44) obtained in [63] was introduced. An extension and the sharpness of (3.44), followed by the decreasingly monotonic property of the function (3.72) considered in [60], has been claimed in Remark 3.15.2.

**5.2. Alzer's refinement and sharpness.** In 1993, Kečkić-Vasić's double inequality (3.44) was rearranged in [8, p. 342] as

$$\left(\frac{b}{a}\right)^{1/2} \frac{\Gamma(b)}{\Gamma(a)} < [I(a, b)]^{b-a} < \frac{b}{a} \cdot \frac{\Gamma(b)}{\Gamma(a)} \quad (5.1)$$

for  $b > a \geq 1$ , where

$$I(a, b) = \frac{1}{e} \left(\frac{b^b}{a^a}\right)^{1/(b-a)} \quad (5.2)$$

for  $a > 0$  and  $b > 0$  with  $a \neq b$  is the so-called identric or exponential mean, see [22, 103, 108]. This provides a relationship between the identric and the gamma function.

H. Alzer in [8, Theorem 4] sharpened the inequality (5.1) as

$$\left(\frac{b}{a}\right)^\alpha \frac{\Gamma(b)}{\Gamma(a)} < [I(a, b)]^{b-a} < \left(\frac{b}{a}\right)^\beta \frac{\Gamma(b)}{\Gamma(a)} \quad (5.3)$$

for  $b > a \geq 1$  if and only if  $\alpha \leq \frac{1}{2}$  and  $\beta \geq \gamma$ .

If setting  $b = x + 1$  and  $a = x + s$ , then inequality (5.3) with  $\alpha = \frac{1}{2}$  and  $\beta = \gamma$  yields

$$\frac{(x+1)^{x+1-\gamma}}{(x+s)^{x+s-\gamma}} e^{s-1} < \frac{\Gamma(x+1)}{\Gamma(x+s)} < \frac{(x+1)^{x+1/2}}{(x+s)^{x+s-1/2}} e^{s-1} \quad (5.4)$$

for all real numbers  $x$  and  $s$  satisfying  $s < 1$  and  $x + s \geq 1$ .

*Remark 5.2.1.* The lower bound in (5.4) improves the corresponding one in (3.45).

*Remark 5.2.2.* The double inequality (5.4) is not better than (3.84).

**5.3. ABRVV's monotonic and log-convex functions.** In 1995, by using the monotonicity of  $\Theta_1(x)$  defined by (1.34), it was proved with no any application in [12, Theorem 3.2] that the function  $x^{1/2-x}e^x\Gamma(x)$  is decreasing and logarithmically convex from  $(0, \infty)$  onto  $(\sqrt{2\pi}, \infty)$  and that the function  $x^{1-x}e^x\Gamma(x)$  is increasing and logarithmically concave from  $(0, \infty)$  onto  $(1, \infty)$ .

It is remarked in [12, p. 1720] that a result similar to the above monotonic and log-convex properties appears in [77, p. 17].

*Remark 5.3.1.* These conclusions extend the corresponding results in [63], are particular cases of properties of the function (3.72) in [60], and may be used to establish the double inequality (3.44) for  $b > a > 0$ .

*Remark 5.3.2.* The convex properties of these two functions can be applied to obtain bounds for Gurland's ratio (3.13), as done in [157] and mentioned in Section 5.5.2 below.

**5.4. Alzer's necessary and sufficient conditions.** In 1997, the monotonic and convex properties of the function (3.72) were slightly extended in [6, p. 376, Theorem 2]: For  $c \geq 0$ , the function (3.72) is decreasing on  $(c, \infty)$  if and only if  $\alpha \leq \frac{1}{2}$  and increasing on  $(c, \infty)$  if and only if

$$\alpha \geq \begin{cases} \Theta_1(c) & \text{if } c > 0, \\ 1 & \text{if } c = 0. \end{cases} \quad (5.5)$$

*Remark 5.4.1.* From these monotonic properties, Kečkić-Vasić's double inequality (3.44) may be generalized as follows: If  $b > a > c \geq 0$ , then the double inequality (5.3) holds if and only if  $\alpha \leq \frac{1}{2}$  and  $\beta \geq \Theta_1(c)$ .

**5.5. Chen-Qi's necessary and sufficient conditions.** In 2006, the following necessary and sufficient conditions were demonstrated in [33]: For  $\alpha \in \mathbb{R}$  and  $\beta \geq 0$ , the function

$$f_{\alpha,\beta}(x) = \frac{e^x \Gamma(x + \beta)}{x^{x+\beta-\alpha}} \quad (5.6)$$

is logarithmically completely monotonic on  $(0, \infty)$  if  $2\alpha \leq 1 \leq \beta$ ; the function  $f_{\alpha,1}(x)$  is logarithmically completely monotonic on  $(0, \infty)$  if and only if  $2\alpha \leq 1$ ; so is the function  $[f_{\alpha,1}(x)]^{-1}$  on  $(0, \infty)$  if and only if  $\alpha \geq 1$ .

From monotonic properties of  $f_{1/2,1}(x)$  and  $[f_{1,1}(x)]^{-1}$ , Kečkić-Vasić's double inequality (3.44) obtained in [63] was extended in [33] from  $b > a > 1$  to  $b > a > 0$ .

*Remark 5.5.1.* The functions defined by (3.43) and (3.72) and discussed in [12, Theorem 3.2] are particular cases of the function  $f_{\alpha,\beta}(x)$  defined by (5.6).

*Remark 5.5.2.* From convex properties of  $f_{1/2,1}(x)$  and  $[f_{1,1}(x)]^{-1}$  and Jensen's inequality (1.26), bounds for Gurland's ratio (3.13) were established in [157]: For positive numbers  $x$  and  $y$ ,

$$\frac{x^{x-1/2} y^{y-1/2}}{[(x+y)/2]^{x+y-1}} \leq T(x, y) \leq \frac{x^{x-1} y^{y-1}}{[(x+y)/2]^{x+y-2}}. \quad (5.7)$$

The left-hand side inequality in (5.7) is same as the corresponding one in [84, Theorem 1], but their upper bounds do not include each other.

**5.6. Guo-Qi-Srivastava's double inequality.** For  $\beta \in \mathbb{R}$ , let

$$g_\beta(x) = \frac{e^x \Gamma(x + 1)}{(x + \beta)^{x+\beta}} \quad (5.8)$$

in the interval  $(\max\{0, -\beta\}, \infty)$ . In [53, 55], it was showed that the function  $g_\beta(x)$  is logarithmically completely monotonic if and only if  $\beta \geq 1$  and that the function  $[g_{\alpha,\beta}(x)]^{-1}$  is logarithmically completely monotonic if and only if  $\beta \leq \frac{1}{2}$ .

As consequences of the monotonicity results of the function  $g_\beta(x)$ , the following two-sided inequality was derived in [55]:

$$\frac{(x+1)^{x+1}}{(y+1)^{y+1}} e^{y-x} < \frac{\Gamma(x+1)}{\Gamma(y+1)} < \frac{(x+1/2)^{x+1/2}}{(y+1/2)^{y+1/2}} e^{y-x} \quad (5.9)$$

or, equivalently,

$$I\left(x + \frac{1}{2}, y + \frac{1}{2}\right) < \left[\frac{\Gamma(x+1)}{\Gamma(y+1)}\right]^{1/(x-y)} < I(x+1, y+1) \quad (5.10)$$

for  $y > x > 0$ , where the constants 1 and  $\frac{1}{2}$  in the very left and the very right sides of the two-sided inequalities (5.9) and (5.10) cannot be replaced, respectively, by smaller and larger ones.

*Remark 5.6.1.* By convex properties of  $g_\beta(x)$  and Jensen's inequality (1.26), a new double inequality for a generalization of Gurland's ratio (3.13) may be deduced: For  $n \in \mathbb{N}$ ,  $x_k > 0$  for  $1 \leq k \leq n$ , and  $p_k \geq 0$  satisfying  $\sum_{k=1}^n p_k = 1$ , the inequality

$$\begin{aligned} \frac{(\sum_{k=1}^n p_k x_k) \prod_{k=1}^n (x_k + b)^{p_k(x_k+b)}}{[\sum_{k=1}^n p_k(x_k + b)]^{\sum_{k=1}^n p_k(x_k+b)} \prod_{k=1}^n x_k^{p_k}} &< \frac{\prod_{k=1}^n [\Gamma(x_k)]^{p_k}}{\Gamma(\sum_{k=1}^n p_k x_k)} \\ &< \frac{(\sum_{k=1}^n p_k x_k) \prod_{k=1}^n (x_k + a)^{p_k(x_k+a)}}{[\sum_{k=1}^n p_k(x_k + a)]^{\sum_{k=1}^n p_k(x_k+a)} \prod_{k=1}^n x_k^{p_k}} \end{aligned} \quad (5.11)$$

holds if and only if  $a \leq \frac{1}{2}$  and  $b \geq 1$ . In particular, Gurland's ratio (3.13) can be bounded by

$$\begin{aligned} \frac{2^{x+y+2b-2}(x+y)^2(x+b)^{x+b}(y+b)^{y+b}}{xy(x+y+2b)^{x+y+2b}} &< T(x, y) \\ &< \frac{2^{x+y+2a-2}(x+y)^2(x+a)^{x+a}(y+a)^{y+a}}{xy(x+y+2a)^{x+y+2a}} \end{aligned} \quad (5.12)$$

if and only if  $a \leq \frac{1}{2}$  and  $b \geq 1$ , where  $x$  and  $y$  are positive numbers.

## 5.7. Some more Kečkić-Vasić type inequalities.

5.7.1. In 2008, some new conclusions of the function  $f_{\alpha,\beta}(x)$  were procured in [56]:

- (1) If  $\beta \in (0, \infty)$  and  $\alpha \leq 0$ , then  $f_{\alpha,\beta}$  is logarithmically completely monotonic on  $(0, \infty)$ ;
- (2) If  $\beta \in (0, \infty)$  and  $f_{\alpha,\beta}$  is a logarithmically completely monotonic function on  $(0, \infty)$ , then  $\alpha \leq \min\{\beta, \frac{1}{2}\}$ ;
- (3) If  $\beta \geq 1$ , then  $f_{\alpha,\beta}$  is logarithmically completely monotonic on  $(0, \infty)$  if and only if  $\alpha \leq \frac{1}{2}$ .

As direct consequences of monotonic properties above, a Kečkić-Vasić type inequality is deduced immediately: If  $a$  and  $b$  are positive numbers with  $a \neq b$ , then

(1) the inequality

$$I(a, b) > \left[ \left(\frac{a}{b}\right)^{\alpha-\beta} \frac{\Gamma(a+\beta)}{\Gamma(b+\beta)} \right]^{1/(a-b)} \quad (5.13)$$

holds true for  $\beta \geq 1$  if and only if  $\alpha \leq \frac{1}{2}$ ;

(2) the inequality (5.13) holds true also for  $\beta \in (0, \infty)$  if  $\alpha \leq 0$ .

5.7.2. Subsequently, a necessary and sufficient condition and a necessary condition for  $[f_{\alpha,\beta}(x)]^{-1}$  to be logarithmically completely monotonic on  $(0, \infty)$  were established in [54] as follows.

**Theorem 5.1** ([54]). *If the function  $[f_{\alpha,\beta}(x)]^{-1}$  is logarithmically completely monotonic on  $(0, \infty)$ , then either  $\beta > 0$  and  $\alpha \geq \max\{\beta, \frac{1}{2}\}$  or  $\beta = 0$  and  $\alpha \geq 1$ .*

**Theorem 5.2** ([54]). *If  $\beta \geq \frac{1}{2}$ , the necessary and sufficient condition for the function  $[f_{\alpha,\beta}(x)]^{-1}$  to be logarithmically completely monotonic on  $(0, \infty)$  is  $\alpha \geq \beta$ .*

As the first application of Theorem 5.2, the following inequalities are derived by using logarithmically completely monotonic properties of the functions  $[f_{\alpha,\beta}(x)]^{\pm 1}$  on  $(0, \infty)$ .

**Theorem 5.3** ([54]). *Let  $\beta$  be a positive number.*

(1) *For  $k \in \mathbb{N}$ , double inequalities*

$$\ln x - \frac{1}{x} \leq \psi(x) \leq \ln x - \frac{1}{2x} \quad (5.14)$$

and

$$\frac{(k-1)!}{x^k} + \frac{k!}{2x^{k+1}} \leq (-1)^{k+1} \psi^{(k)}(x) \leq \frac{(k-1)!}{x^k} + \frac{k!}{x^{k+1}} \quad (5.15)$$

hold on  $(0, \infty)$ .

(2) *When  $\beta > 0$ , inequalities*

$$\psi(x + \beta) \leq \ln x + \frac{\beta}{x} \quad (5.16)$$

and

$$(-1)^k \psi^{(k-1)}(x + \beta) \geq \frac{(k-2)!}{x^{k-1}} - \frac{\beta(k-1)!}{x^k} \quad (5.17)$$

hold on  $(0, \infty)$  for  $k \geq 2$ .

(3) *When  $\beta \geq \frac{1}{2}$ , inequalities*

$$\psi(x + \beta) \geq \ln x \quad \text{and} \quad (-1)^k \psi^{(k-1)}(x + \beta) \leq \frac{(k-2)!}{x^{k-1}} \quad (5.18)$$

hold on  $(0, \infty)$  for  $k \geq 2$ .

(4) *When  $\beta \geq 1$ , inequalities*

$$\psi(x + \beta) \leq \ln x + \frac{\beta - 1/2}{x} \quad (5.19)$$

and

$$(-1)^k \psi^{(k-1)}(x + \beta) \geq \frac{(k-2)!}{x^{k-1}} - \frac{(\beta - 1/2)(k-1)!}{x^k} \quad (5.20)$$

holds on  $(0, \infty)$  for  $k \geq 2$ .

As the second application of Theorem 5.2, the following inequalities are derived by using logarithmically convex properties of the function  $[f_{\alpha,\beta}(x)]^{\pm 1}$  on  $(0, \infty)$ .

**Theorem 5.4** ([54]). *Let  $n \in \mathbb{N}$ ,  $x_k > 0$  for  $1 \leq k \leq n$ ,  $p_k \geq 0$  satisfying  $\sum_{k=1}^n p_k = 1$ . If either  $\beta > 0$  and  $\alpha \leq 0$  or  $\beta \geq 1$  and  $\alpha \leq \frac{1}{2}$ , then*

$$\frac{\prod_{k=1}^n [\Gamma(x_k + \beta)]^{p_k}}{\Gamma(\sum_{k=1}^n p_k x_k + \beta)} \geq \frac{\prod_{k=1}^n x_k^{p_k(x_k + \beta - \alpha)}}{(\sum_{k=1}^n p_k x_k)^{\sum_{k=1}^n p_k x_k + \beta - \alpha}}. \quad (5.21)$$

*If  $\alpha \geq \beta \geq \frac{1}{2}$ , then the inequality (5.21) reverses.*

As the final application of Theorem 5.2, the following inequality may be derived by using the decreasingly monotonic property of the function  $[f_{\alpha,\beta}(x)]^{-1}$  on  $(0, \infty)$ .

**Theorem 5.5** ([54]). *If  $\alpha \geq \beta \geq \frac{1}{2}$ , then*

$$I(x, y) < \left[ \left( \frac{x}{y} \right)^{\alpha-\beta} \frac{\Gamma(x+\beta)}{\Gamma(y+\beta)} \right]^{1/(x-y)} \quad (5.22)$$

holds true for  $x, y \in (0, \infty)$  with  $x \neq y$ .

*Remark 5.7.1.* The double inequality (5.15) and its sharpness can also be deduced from [109, Theorem 1.3].

**5.8. Guo-Zhang-Qi's inequality.** In 2008, by using the monotonicity and convexity of the function  $\Theta_1(x)$  defined by (1.34), it was showed in [52] that the function

$$h(x) = \frac{e^x \Gamma(x)}{x^{x-\Theta_1(x)}} \quad (5.23)$$

on  $(0, \infty)$  has a unique maximum  $e$  at  $x = 1$ , with the following two limits

$$\lim_{x \rightarrow 0^+} h(x) = 1 \quad \text{and} \quad \lim_{x \rightarrow \infty} h(x) = \sqrt{2\pi}. \quad (5.24)$$

As consequences of the monotonicity of the function  $h(x)$ , it was concluded in [52] that the following inequality:

$$I(x, y) < \left[ \frac{x^{\Theta_1(x)} \Gamma(x)}{y^{\Theta_1(y)} \Gamma(y)} \right]^{1/(x-y)} \quad (5.25)$$

holds true for  $x \geq 1$  and  $y \geq 1$  with  $x \neq y$ . If  $0 < x \leq 1$  and  $0 < y \leq 1$  with  $x \neq y$ , the inequality (5.25) is reversed.

## 5.9. Further remarks.

*Remark 5.9.1.* The above discusses show that Kečkić-Vasić type inequalities and bounds for Gurland's ratio (3.13) may be established respectively from the monotonic and convex properties of the same functions: Kečkić-Vasić type inequalities follow from the monotonic properties while bounds for Gurland's ratio (3.13) do from the convex properties.

## 6. QI AND HIS COAUTHORS' RESULTS

Beginning from 2005, a large part of my academic attention was concentrated on bounding the ratio of two gamma functions.

**6.1. Proofs of Elezović-Giordano-Pečarić's monotonicity result.** In [126], by making use of the convolution theorem (1.28) for Laplace transform and Theorem 1.2 on logarithmic convex properties of the function  $q_{\alpha,\beta}(x)$  defined by (1.35), a new proof of [43, Theorem 1], that is, Theorem 3.1 in Section 3.19.1, was given.

By a similar approach to the one in [126], a concise proof for [43, Theorem 1] was presented in [116] recently.

**6.2. Completely monotonic properties of divided differences.** After giving a new proof for [43, Theorem 1], completely monotonic properties of the function (3.92), which involves divided differences of the digamma and trigamma functions, were considered in [100, 107, 121] by employing one of the main results in [99].

Our main results can be stated as follows.

**Theorem 6.1.** *Let  $s$  and  $t$  be two real numbers and  $\alpha = \min\{s, t\}$ . Define*

$$\delta_{s,t}(x) = \begin{cases} \frac{\psi(x+t) - \psi(x+s)}{t-s} - \frac{2x+s+t+1}{2(x+s)(x+t)}, & s \neq t \\ \psi'(x+s) - \frac{1}{x+s} - \frac{1}{2(x+s)^2}, & s = t \end{cases} \quad (6.1)$$

on  $x \in (-\alpha, \infty)$ . Then the functions  $\delta_{s,t}(x)$  for  $|t-s| < 1$  and  $-\delta_{s,t}(x)$  for  $|t-s| > 1$  are completely monotonic on  $x \in (-\alpha, \infty)$ .

**Theorem 6.2.** *Let  $s$  and  $t$  be two real numbers and  $\alpha = \min\{s, t\}$ . Define*

$$\Delta_{s,t}(x) = \begin{cases} \left[ \frac{\psi(x+t) - \psi(x+s)}{t-s} \right]^2 + \frac{\psi'(x+t) - \psi'(x+s)}{t-s}, & s \neq t \\ [\psi'(x+s)]^2 + \psi''(x+s), & s = t \end{cases} \quad (6.2)$$

on  $x \in (-\alpha, \infty)$ . Then the functions  $\Delta_{s,t}(x)$  for  $|t-s| < 1$  and  $-\Delta_{s,t}(x)$  for  $|t-s| > 1$  are completely monotonic on  $x \in (-\alpha, \infty)$ .

**Theorem 6.3.** *Let  $k$  be a nonnegative integer and  $\theta > 0$  a constant.*

*If  $a > 0$  and  $b > 0$ , then*

$$\sum_{i=0}^k \frac{1}{(a+\theta)^{i+1}(b+\theta)^{k-i+1}} + \sum_{i=0}^k \frac{1}{a^{i+1}b^{k-i+1}} > 2 \sum_{i=0}^k \frac{1}{(a+\theta)^{i+1}b^{k-i+1}} \quad (6.3)$$

*holds for  $b-a > -\theta$  and reverses for  $b-a < -\theta$ .*

*If  $a < -\theta$  and  $b < -\theta$ , then inequalities*

$$\sum_{i=0}^{2k} \frac{1}{(a+\theta)^{i+1}(b+\theta)^{2k-i+1}} + \sum_{i=0}^{2k} \frac{1}{a^{i+1}b^{2k-i+1}} > 2 \sum_{i=0}^{2k} \frac{1}{(a+\theta)^{i+1}b^{2k-i+1}} \quad (6.4)$$

*and*

$$\sum_{i=0}^{2k+1} \frac{1}{(a+\theta)^{i+1}(b+\theta)^{2k-i+2}} + \sum_{i=0}^{2k+1} \frac{1}{a^{i+1}b^{2k-i+2}} < 2 \sum_{i=0}^{2k+1} \frac{1}{(a+\theta)^{i+1}b^{2k-i+2}} \quad (6.5)$$

*hold for  $b-a > -\theta$  and reverse for  $b-a < -\theta$ .*

*If  $-\theta < a < 0$  and  $-\theta < b < 0$ , then inequality (6.4) holds and inequality (6.5) is valid for  $a+b+\theta > 0$  and is reversed for  $a+b+\theta < 0$ .*

*If  $a < -\theta$  and  $b > 0$ , then inequality (6.4) holds and inequality (6.5) is valid for  $a+b+\theta > 0$  and is reversed for  $a+b+\theta < 0$ .*

*If  $a > 0$  and  $b < -\theta$ , then inequality (6.4) is reversed and inequality (6.5) holds for  $a+b+\theta < 0$  and reverses for  $a+b+\theta > 0$ .*

*If  $b = a - \theta$ , then inequalities (6.3), (6.4) and (6.5) become equalities.*

**Theorem 6.4.** *The inequality (6.3) for positive numbers  $a$  and  $b$  is equivalent to Theorem 6.1.*

*Remark 6.2.1.* One of the key tools or ideas used in the proofs of Theorem 6.1 and Theorem 6.2 is: If  $f(x)$  is a function defined on an infinite interval  $I$  and satisfies  $\lim_{x \rightarrow \infty} f(x) = \delta$  and  $f(x) - f(x + \varepsilon) > 0$  for  $x \in I$  and some fixed number  $\varepsilon > 0$ , then  $f(x) > \delta$ . This lemma has been validated in [99, 100, 107] and related references therein to be especially successful in proving the monotonicity, the complete monotonicity and the logarithmically complete monotonicity of functions involving the gamma, psi and polygamma functions.

*Remark 6.2.2.* It is clear that the completely monotonic properties of the functions  $\delta_{s,t}(x)$  and  $\Delta_{s,t}(x)$  in Theorem 6.1 and Theorem 6.2 generalize the positivity and completely monotonic properties of the function

$$\psi'(x) - \frac{1}{x} - \frac{1}{2x^2} \quad (6.6)$$

on  $(0, \infty)$ , presented in [42, 113] and [109, Theorem 1.3], and the inequality (3.95), obtained initially and respectively in [7, p. 208] and [18, Lemma 1.1].

*Remark 6.2.3.* Along another direction, results on the convex and completely monotonic properties for the generalization of the function (6.6) was procured in [6, p. 383, Theorem 8] and [86, p. 370, Theorem 1] by different approaches respectively. Recently, a new proof for it was published in [67].

**6.3. Necessary and sufficient conditions.** For real numbers  $a, b$  and  $c$ , denote  $\rho = \min\{a, b, c\}$  and let

$$H_{a,b,c}(x) = (x+c)^{b-a} \frac{\Gamma(x+a)}{\Gamma(x+b)} \quad (6.7)$$

for  $x \in (-\rho, \infty)$ .

Making use of monotonic properties of  $q_{\alpha,\beta}(t)$  on  $(0, \infty)$ , see Theorem 1.1 procured in [104, 120] and Section 1.7 in this paper, sufficient and necessary conditions such that the function  $H_{a,b,c}(x)$  is logarithmically completely monotonic on  $(-\rho, \infty)$ , which extend or generalize [60, Theorem 2.4], [98, Theorem 1] and other known results mentioned in Section 3.16, are presented as follows.

**Theorem 6.5** ([122]). *Let  $a, b$  and  $c$  be real numbers and  $\rho = \min\{a, b, c\}$ . Then*

(1)  $H_{a,b,c}(x)$  is logarithmically completely monotonic on  $(-\rho, \infty)$  if and only if

$$\begin{aligned} (a, b, c) \in D_1(a, b, c) \triangleq & \{(a, b, c) : (b-a)(1-a-b+2c) \geq 0\} \\ & \cap \{(a, b, c) : (b-a)(|a-b| - a - b + 2c) \geq 0\} \\ & \setminus \{(a, b, c) : a = c+1 = b+1\} \setminus \{(a, b, c) : b = c+1 = a+1\}, \end{aligned} \quad (6.8)$$

(2)  $H_{b,a,c}(x)$  is logarithmically completely monotonic on  $(-\rho, \infty)$  if and only if

$$\begin{aligned} (a, b, c) \in D_2(a, b, c) \triangleq & \{(a, b, c) : (b-a)(1-a-b+2c) \leq 0\} \\ & \cap \{(a, b, c) : (b-a)(|a-b| - a - b + 2c) \leq 0\} \\ & \setminus \{(a, b, c) : b = c+1 = a+1\} \setminus \{(a, b, c) : a = c+1 = b+1\}. \end{aligned} \quad (6.9)$$

From Theorem 6.5, the following double inequality for divided differences of the psi and polygamma functions can be deduced readily.

**Theorem 6.6** ([123]). *Let  $b > a \geq 0$  and  $k \in \mathbb{N}$ . Then the double inequality*

$$\frac{(k-1)!}{(x+\alpha)^k} \leq \frac{(-1)^{k-1} [\psi^{(k-1)}(x+b) - \psi^{(k-1)}(x+a)]}{b-a} \leq \frac{(k-1)!}{(x+\beta)^k} \quad (6.10)$$

for  $x \in (0, \infty)$  holds if and only if  $\alpha \geq \max\{a, \frac{a+b-1}{2}\}$  and  $0 \leq \beta \leq \min\{a, \frac{a+b-1}{2}\}$ .

*Remark 6.3.1.* It is unthought-of that taking  $b-a=1$  in (6.10) leads to

$$\psi^{(k-1)}(x+a+1) - \psi^{(k-1)}(x+a) = (-1)^{k-1} \frac{(k-1)!}{(x+a)^k} \quad (6.11)$$

for  $a \geq 0$ ,  $x > 0$  and  $k \in \mathbb{N}$ , which is equivalent to the recurrence formula

$$\psi^{(n)}(z+1) - \psi^{(n)}(z) = (-1)^n n! z^{-n-1} \quad (6.12)$$

for  $z > 0$  and  $n \geq 0$ , listed in [1, p. 260, 6.4.6]. This has been showed in [101] by a different manner from here.

*Remark 6.3.2.* The logarithmically completely monotonic properties of the function  $H_{a,0,0}(x)$  was demonstrated in [139, Theorem 1.3].

**6.4. Some results on Gautschi-Kershaw's second double inequality.** Up to now, results on refinements or generalizations of the right-hand side inequality in (2.19) and the double inequality (3.57) are the logarithmically completely monotonic properties of the functions (3.78), (3.80) and (3.100) and inequalities in (3.99), (3.101) and (3.106).

**6.4.1. Monotonicity results on Gautschi-Kershaw's second double inequality.** Motivated by the problem (3.97), the following results on logarithmically completely monotonic properties of functions related to the double inequality (3.97) were demonstrated.

**Theorem 6.7** ([97, Theorem 1]). *Let  $a, b, c$  be real numbers and  $\rho = \min\{a, b, c\}$ . Define*

$$F_{a,b,c}(x) = \begin{cases} \left[ \frac{\Gamma(x+b)}{\Gamma(x+a)} \right]^{1/(a-b)} \exp[\psi(x+c)], & a \neq b \\ \exp[\psi(x+c) - \psi(x+a)], & a = b \neq c \end{cases} \quad (6.13)$$

for  $x \in (-\rho, \infty)$ . Furthermore, let  $\theta(t)$  be an implicit function defined by equation

$$e^t - t = e^{\theta(t)} - \theta(t) \quad (6.14)$$

on  $(-\infty, \infty)$ . Then  $\theta(t)$  is decreasing and  $t\theta(t) < 0$  for  $\theta(t) \neq t$ , and

(1)  $F_{a,b,c}(x)$  is logarithmically completely monotonic on  $(-\rho, \infty)$  if

$$(a, b, c) \in \{c \geq a, c \geq b\} \cup \{c \geq a, 0 \geq c-b \geq \theta(c-a)\} \\ \cup \{c \leq a, c-b \geq \theta(c-a)\} \setminus \{a=b=c\}; \quad (6.15)$$

(2)  $[F_{a,b,c}(x)]^{-1}$  is logarithmically completely monotonic on  $(-\rho, \infty)$  if

$$(a, b, c) \in \{c \leq a, c \leq b\} \cup \{c \geq a, c-b \leq \theta(c-a)\} \\ \cup \{c \leq a, 0 \leq c-b \leq \theta(c-a)\} \setminus \{a=b=c\}. \quad (6.16)$$



**Theorem 6.8** ([115, Theorem 1]). *For real numbers  $s$  and  $t$  with  $s \neq t$  and  $\theta(s, t)$  a constant depending on  $s$  and  $t$ , define*

$$\nu_{s,t}(x) = \frac{1}{\exp[\psi(x + \theta(s, t))]} \left[ \frac{\Gamma(x + t)}{\Gamma(x + s)} \right]^{1/(t-s)}. \quad (6.17)$$

- (1) *If  $\theta(s, t) \leq \min\{s, t\}$ , then  $\nu_{s,t}(x)$  is logarithmically completely monotonic on  $(-\theta(s, t), \infty)$ .*
- (2) *The function  $[\nu_{s,t}(x)]^{-1}$  is logarithmically completely monotonic on the interval  $(-\min\{s, t\}, \infty)$  if and only if  $\theta(s, t) \geq \frac{s+t}{2}$ .*

6.4.2. *Refinements of Gautschi-Kershaw's second double inequality.* Stimulated by the left-hand side inequality in (3.107), although it is not correct, several refinements and generalizations related to Gautschi-Kershaw's second double inequality were established.

**Theorem 6.9** ([102, Theorem 1]). *For positive numbers  $a$  and  $b$  with  $a \neq b$ , the inequality*

$$e^{\psi(L(a,b))} < \left[ \frac{\Gamma(a)}{\Gamma(b)} \right]^{(a-b)} < e^{\psi(A(a,b))}, \quad (6.18)$$

*is valid.*

**Theorem 6.10** ([102, Theorem 2]). *For  $s, t \in \mathbb{R}$  with  $s \neq t$ , the function*

$$\left[ \frac{\Gamma(x + s)}{\Gamma(x + t)} \right]^{1/(s-t)} \frac{1}{e^{\psi(L(s,t;x))}} \quad (6.19)$$

*is decreasing and*

$$\left[ \frac{\Gamma(x + s)}{\Gamma(x + t)} \right]^{1/(t-s)} e^{\psi(A(s,t;x))} \quad (6.20)$$

*is logarithmically completely monotonic in  $x > -\min\{s, t\}$ , where*

$$L(s, t; x) = L(x + s, x + t) \quad \text{and} \quad A(s, t; x) = A(x + s, x + t).$$

**Theorem 6.11** ([130, 131]). *Inequalities*

$$\left[ \frac{\Gamma(a)}{\Gamma(b)} \right]^{1/(a-b)} \leq e^{\psi(I(a,b))} \quad (6.21)$$

*and*

$$\frac{(-1)^n [\psi^{(n-1)}(a) - \psi^{(n-1)}(b)]}{a - b} \leq (-1)^n \psi^{(n)}(I(a, b)) \quad (6.22)$$

*for  $a > 0$  and  $b > 0$ , hold true.*

**Theorem 6.12** ([106, Theorem 1] and [137, Theorem 1]). *For real numbers  $s > 0$  and  $t > 0$  with  $s \neq t$  and an integer  $i \geq 0$ , the inequality*

$$(-1)^i \psi^{(i)}(L_p(s, t)) \leq \frac{(-1)^i}{t - s} \int_s^t \psi^{(i)}(u) \, du \leq (-1)^i \psi^{(i)}(L_q(s, t)) \quad (6.23)$$

*holds if  $p \leq -i - 1$  and  $q \geq -i$ .*

**Theorem 6.13** ([106, Theorem 2] and [137, Theorem 2]). *The double inequality*

$$e^{\psi(L_p(a,b))} < \left[ \frac{\Gamma(a)}{\Gamma(b)} \right]^{1/(a-b)} < e^{\psi(L_q(a,b))} \quad (6.24)$$

*for  $a > 0$  and  $b > 0$ , holds if  $p \leq -1$  and  $q \geq 0$ .*

**Theorem 6.14** ([106, Theorem 3] and [137, Theorem 3]). *For  $i \geq 0$  being an integer and  $s, t \in \mathbb{R}$  with  $s \neq t$  and  $x > -\min\{s, t\}$ , the function*

$$(-1)^i \left[ \psi^{(i)}(L_p(s, t; x)) - \frac{1}{t-s} \int_s^t \psi^{(i)}(x+u) \, du \right] \quad (6.25)$$

*is increasing in  $x$  if either  $p \leq -(i+2)$  or  $p = -(i+1)$  and decreasing in  $x$  if  $p \geq 1$ , where*

$$L_p(s, t; x) = L_p(x+s, x+t).$$

*Remark 6.4.1.* The proofs of Theorem 6.11 and Theorem 6.12 need to use the main results in [133] on monotonic properties of some functions involving the psi and polygamma functions.

**6.5. Generalizations of Lew-Frauenthal-Keyfitz's double inequality.** In 2006, in order to improve

$$2\Gamma\left(n + \frac{1}{2}\right) \leq \Gamma\left(\frac{1}{2}\right)\Gamma(n+1) \leq 2^n\Gamma\left(n + \frac{1}{2}\right) \quad (6.26)$$

for  $n \geq 1$ , see [37, p. 213] and [72], it was proved in [150] by using (2.2) that

$$\sqrt{x} \leq \frac{\Gamma(x+1)}{\Gamma(x+1/2)} \leq \sqrt{x + \frac{1}{2}}. \quad (6.27)$$

It is clear that the double inequality (6.27) is weaker than (3.56) for  $s = \frac{1}{2}$  and the right-hand side inequality in (6.27) is also weaker than an inequality obtained in [69].

Observe that the inequality (6.26) can be rearranged for  $n > 1$  as

$$1 \leq \left[ \frac{\Gamma(1/2)\Gamma(n+1)}{2\Gamma(n+1/2)} \right]^{1/(n-1)} \leq 2. \quad (6.28)$$

The middle term in (6.28) hints us to define

$$g(x) = \begin{cases} \left[ \frac{\Gamma(1/2)\Gamma(x+1)}{2\Gamma(x+1/2)} \right]^{1/(x-1)}, & x \neq 1 \\ \exp\left[1 - \gamma - \psi\left(\frac{3}{2}\right)\right], & x = 1 \end{cases} \quad (6.29)$$

for  $x \in (-\frac{1}{2}, \infty)$ , where  $\gamma = 0.57721566 \dots$  be the Euler-Mascheroni constant, and to consider its logarithmically complete monotonicity.

**Theorem 6.15** ([111] and [139, Theorem 1.1]). *The function  $g(x) \in \mathcal{L}[(-\frac{1}{2}, \infty)]$  with*

$$\lim_{x \rightarrow -(1/2)^+} g(x) = \infty \quad \text{and} \quad \lim_{x \rightarrow \infty} g(x) = 1, \quad (6.30)$$

*where  $\mathcal{L}[I]$  stands for the set of logarithmically completely monotonic functions on an interval  $I \subseteq \mathbb{R}$ .*

The left-hand side inequality in (2.2) reminds us to introduce

$$h_a(x) = \frac{(x+a)^{1-a}\Gamma(x+a)}{x\Gamma(x)} = \frac{(x+a)^{1-a}\Gamma(x+a)}{\Gamma(x+1)} \quad (6.31)$$

for  $x > 0$  and  $a > 0$  and to discuss its logarithmically complete monotonicity.

**Theorem 6.16** ([111] and [139, Theorem 1.2]). *The function  $h_a(x)$  has the following properties:*

- (1)  $h_a(x) \in \mathcal{L}[(0, \infty)]$  if  $0 < a < 1$ .
- (2)  $[h_a(x)]^{-1} \in \mathcal{L}[(0, \infty)]$  if  $a > 1$ .
- (3) For any  $a > 0$ ,

$$\lim_{x \rightarrow 0^+} h_a(x) = \frac{\Gamma(a+1)}{a^a} \quad \text{and} \quad \lim_{x \rightarrow \infty} h_a(x) = 1. \quad (6.32)$$

As a straightforward consequence of combining Theorem 6.5 for  $H_{a,0,0}(x)$  and Theorem 6.16, the following refinement of the upper bound in inequality (2.2) is established.

**Theorem 6.17** ([111] and [139, Theorem 1.4]). *Let  $x \in (0, \infty)$ . If  $0 < a < 1$ , then*

$$\left(\frac{x}{x+a}\right)^{1-a} < \frac{\Gamma(x+a)}{x^a \Gamma(x)} < \begin{cases} \frac{\Gamma(a+1)}{a^a} \left(\frac{x}{x+a}\right)^{1-a} \leq 1, & 0 < x \leq \frac{ap(a)}{1-p(a)}, \\ 1, & \frac{ap(a)}{1-p(a)} < x < \infty, \end{cases} \quad (6.33)$$

where

$$p(x) = \begin{cases} \left[ \frac{x^x}{\Gamma(x+1)} \right]^{1/(1-x)}, & x \neq 1, \\ e^{-\gamma}, & x = 1. \end{cases} \quad (6.34)$$

If  $a > 1$ , the reversed inequality of (6.33) holds.

Now rewrite inequality (6.26) or (6.28) for  $n > 1$  as

$$1 \leq \left[ \frac{\Gamma(1+1/2)}{\Gamma(1+1)} \cdot \frac{\Gamma(n+1)}{\Gamma(n+1/2)} \right]^{1/(n-1)} \leq 2. \quad (6.35)$$

The definition (6.29) of  $g(x)$  and inequality (6.35) motivate us to introduce a new function  $h_\beta(x)$  as follows: Let  $s$  and  $t$  be two real numbers with  $s \neq t$ ,  $\alpha = \min\{s, t\}$  and  $\beta > -\alpha$ . For  $x \in (-\alpha, \infty)$ , define

$$h_\beta(x) = \begin{cases} \left[ \frac{\Gamma(\beta+t)}{\Gamma(\beta+s)} \cdot \frac{\Gamma(x+s)}{\Gamma(x+t)} \right]^{1/(x-\beta)}, & x \neq \beta, \\ \exp[\psi(\beta+s) - \psi(\beta+t)], & x = \beta. \end{cases} \quad (6.36)$$

**Theorem 6.18** ([109, Theorem 1.1]). *The following two conclusions are valid:*

- (1) If  $s > t$ , then  $h_\beta(x) \in \mathcal{L}[-\alpha, \infty]$  with

$$\lim_{x \rightarrow -\alpha} h_\beta(x) = \infty \quad \text{and} \quad \lim_{x \rightarrow \infty} h_\beta(x) = 1. \quad (6.37)$$

- (2) If  $s < t$ , then  $[h_\beta(x)]^{-1} \in \mathcal{L}[-\alpha, \infty]$  with

$$\lim_{x \rightarrow -\alpha} h_\beta(x) = 0 \quad \text{and} \quad \lim_{x \rightarrow \infty} h_\beta(x) = 1. \quad (6.38)$$

In [111] and [139, Theorem 1.5], the logarithmically complete monotonicity of  $p(x)$  was proved:  $p(x) \in \mathcal{L}[(0, \infty)]$  with  $\lim_{x \rightarrow 0^+} p(x) = 1$  and  $\lim_{x \rightarrow \infty} p(x) = \frac{1}{e}$ .

Motivated by the inequality (6.35) and the definition of  $h_\beta(x)$  in (6.36), a more general function than  $p(x)$  can be introduced: For  $x \in (0, \infty)$  and  $\alpha > 0$ , let

$$p_\alpha(x) = \begin{cases} \left[ \frac{\Gamma(\alpha+1)}{\alpha^\alpha} \cdot \frac{x^x}{\Gamma(x+1)} \right]^{1/(\alpha-x)}, & x \neq \alpha, \\ \frac{\exp[\psi(\alpha+1) - 1]}{\alpha}, & x = \alpha. \end{cases} \quad (6.39)$$

**Theorem 6.19** ([109, Theorem 1.4]). *For any fixed  $\alpha > 0$ ,  $p_\alpha(x) \in \mathcal{L}[(0, \infty)]$  with*

$$\lim_{x \rightarrow 0^+} p_\alpha(x) = \frac{\sqrt[\alpha]{\Gamma(\alpha+1)}}{\alpha} \quad \text{and} \quad \lim_{x \rightarrow \infty} p_\alpha(x) = \frac{1}{e}. \quad (6.40)$$

*Remark 6.5.1.* The functions  $h(x, y) = h_y(x)$  and  $p(x, y) = p_y(x)$  satisfy  $h(x, y) = h(y, x)$  and  $p(x, y) = p(y, x)$  and so their Schur-convex properties can be considered.

*Remark 6.5.2.* It is clear that the papers [109, 111, 139] take a different direction from [150] to generalize and refine inequalities in (6.26).

*Remark 6.5.3.* The logarithmically completely monotonic properties of the function  $\frac{\sqrt[x]{\Gamma(x+1)}}{x}$  and several similar ones have been researched and applied in [118] and its unpublished revised version.

## 7. RELATED PROBLEMS

**7.1. Monotonicity results for the ratio of two  $q$ -gamma functions.** The known results obtained by many mathematicians show that most of properties of the ratio of two gamma functions may be replanted to cases of the ratio of two  $q$ -gamma functions.

Let  $a, b$  and  $c$  be real numbers and  $\rho = \min\{a, b, c\}$ , define

$$H_{q;a,b;c}(x) = \left( \frac{1 - q^{x+c}}{1 - q} \right)^{a-b} \frac{\Gamma_q(x+b)}{\Gamma_q(x+a)} \quad (7.1)$$

for  $x \in (-\rho, \infty)$ , where  $\Gamma_q(x)$  for  $0 < q < 1$  is the  $q$ -gamma function defined by (1.14).

In [61, Theorem 2.5], the following logarithmically completely monotonic properties of  $H_{q;a,b;c}(x)$  were obtained: For  $a < b \leq a + 1$ , the function  $H_{q;a,b;c}(x)$  is logarithmically completely monotonic on  $(-c, \infty)$  if  $0 \leq c \leq \frac{a+b-1}{2}$ , so is its reciprocal on  $(-a, \infty)$  if  $c \geq a \geq 0$ . Note that the proof in [61, Theorem 2.5] for the conclusion ‘‘Neither is completely monotonic for  $\frac{a+b-1}{2} < c < a$ ’’ is not convincing.

In virtue of monotonic properties of  $q_{\alpha,\beta}(t)$  on  $(0, \infty)$ , it is not difficult to see that [61, Theorem 2.5] can be extended to and [60, Theorem 2.5] and [61, Theorem 2.6] can be included in the following Theorem 7.1 easily and thoroughly, which is an analogue of Theorem 6.5.

**Theorem 7.1** ([120]). *Let  $a, b$  and  $c$  be real numbers and  $\rho = \min\{a, b, c\}$ .*

(1) *The function  $H_{q;a,b;c}(x)$  is logarithmically completely monotonic on  $(-\rho, \infty)$  if and only if*

$$\begin{aligned} (a, b; c) \in D_1(a, b; c) &\triangleq \{(a, b; c) : (a-b)(1-a-b+2c) \geq 0\} \\ &\cap \{(a, b; c) : (a-b)(|a-b| - a - b + 2c) \geq 0\} \\ &\setminus \{(a, b; c) : a = c + 1 = b + 1 \text{ or } b = c + 1 = a + 1\}, \end{aligned} \quad (7.2)$$

(2) The function  $H_{q;b,a;c}(x)$  is logarithmically completely monotonic on  $(-\rho, \infty)$  if and only if

$$(a, b; c) \in D_2(a, b; c) \triangleq \{(a, b; c) : (a - b)(1 - a - b + 2c) \leq 0\} \\ \cap \{(a, b; c) : (a - b)(|a - b| - a - b + 2c) \leq 0\} \\ \setminus \{(a, b; c) : b = c + 1 = a + 1 \text{ or } a = c + 1 = b + 1\}. \quad (7.3)$$

Similar to Theorem 6.6, we have the following double inequality for divided differences of the  $q$ -psi function  $\psi_q(x)$  for  $0 < q < 1$ , which may be derived from Theorem 7.1.

**Theorem 7.2** ([120]). *Let  $b > a \geq 0$ ,  $k \in \mathbb{N}$  and  $0 < q < 1$ . If  $0 \leq c \leq \min\{a, \frac{a+b-1}{2}\}$ , then*

$$\frac{(-1)^{k-1} [\psi_q^{(k-1)}(x+b) - \psi_q^{(k-1)}(x+a)]}{b-a} \leq (-1)^k \frac{d^{k-1}}{dx^{k-1}} \left( \frac{q^{x+c}}{1-q^{x+c}} \right) \ln q \quad (7.4)$$

holds for  $x \in (0, \infty)$ ; If  $c \geq \max\{a, \frac{a+b-1}{2}\}$ , the inequality (7.4) reverses on  $(0, \infty)$ . Consequently, the identity

$$\psi_q^{(k-1)}(x+1) - \psi_q^{(k-1)}(x) = -\frac{d^{k-1}}{dx^{k-1}} \left( \frac{q^x}{1-q^x} \right) \ln q \quad (7.5)$$

holds for  $x \in (0, \infty)$  and  $k \in \mathbb{N}$ .

## 7.2. Monotonicity results for the ratio of products of gamma functions.

7.2.1. *Bounds for Gurland's ratio.* There have been a lot of literature on bounding Gurland's ratio  $T(x, y)$  defined by (3.13). Gurland's ratio and the ratio of two gamma functions are nearly a couple of companion, therefore, to find results on bounding Gurland's ratio possibly as long as to find those bounding the ratio of two gamma functions, see [23, 45, 85] and related references therein.

There are a lot of literature provided in [84] on bounding Gurland's ratio.

7.2.2. *Monotonicity results for the ratio of products of gamma functions.* As a generalization of Gurland's ratio, the function

$$\frac{\Gamma(x)\Gamma(x+a+b)}{\Gamma(x+a)\Gamma(x+b)} \quad (7.6)$$

for non-negative numbers  $a$  and  $b$ , related with Gauss's Theorem expressed by (1.13), was proved in [23, Theorem 6] to be logarithmically completely monotonic on  $(0, \infty)$ .

In [6], a more general result was obtained: The function

$$\prod_{k=1}^n \frac{\Gamma(x+a_k)}{\Gamma(x+b_k)} \quad (7.7)$$

is logarithmically completely monotonic on  $(0, \infty)$  provided

$$0 \leq a_1 \leq a_2 \leq \dots \leq a_n, \quad 0 \leq b_1 \leq b_2 \leq \dots \leq b_n, \quad (7.8)$$

$$\sum_{i=1}^k a_i \leq \sum_{i=1}^k b_i \quad \text{for } 1 \leq k \leq n-1, \quad \text{and} \quad \sum_{i=1}^n a_i = \sum_{i=1}^n b_i. \quad (7.9)$$

In [51, Theorem 1.2], it was presented that the functions

$$F_n(x) = \frac{\Gamma(x) \prod_{k=1}^{\lfloor n/2 \rfloor} \left[ \prod_{\mathbf{m} \in P_{n,2k}} \Gamma \left( x + \sum_{j=1}^{2k} a_{m_j} \right) \right]}{\prod_{k=1}^{\lfloor (n+1)/2 \rfloor} \left[ \prod_{\mathbf{m} \in P_{n,2k-1}} \Gamma \left( x + \sum_{j=1}^{2k-1} a_{m_j} \right) \right]} \quad (7.10)$$

for any  $a_k > 0$  and  $k \in \mathbb{N}$  are logarithmically completely monotonic on  $(0, \infty)$  and that any product of functions of the type (7.10) with different parameters  $a_k$  is logarithmically completely monotonic as well, where  $P_{n,k}$  for  $1 \leq k \leq n$  is the set of all vectors  $\mathbf{m} = (m_1, \dots, m_k)$  whose components are natural numbers such that  $1 \leq m_\nu < m_\mu \leq n$  for  $1 \leq \nu < \mu \leq k$  and  $P_{n,0}$  is the empty set.

Let  $a_i$  and  $b_i$  for  $1 \leq i \leq n$  be real numbers and  $\rho_n = \min_{1 \leq i \leq n} \{a_i, b_i\}$ . For  $x \in (-\rho_n, \infty)$ , define

$$h_{\mathbf{a}, \mathbf{b}; n}(x) = \prod_{i=1}^n \frac{\Gamma(x + a_i)}{\Gamma(x + b_i)}, \quad (7.11)$$

where  $\mathbf{a}$  and  $\mathbf{b}$  denote  $(a_1, a_2, \dots, a_n)$  and  $(b_1, b_2, \dots, b_n)$  respectively. By recurring to monotonic properties of  $q_{\alpha, \beta}(t)$  on  $(0, \infty)$ , the following new sufficient conditions for  $h_{\mathbf{a}, \mathbf{b}; n}(x)$  to be logarithmically completely monotonic on  $(0, \infty)$  are devised.

**Theorem 7.3** ([120]). *If*

$$(b_i - a_i)(1 - a_i - b_i) \geq 0 \quad \text{and} \quad (b_i - a_i)(|a_i - b_i| - a_i - b_i) \geq 0 \quad (7.12)$$

hold for  $1 \leq i \leq n$  and

$$\sum_{i=1}^n b_i \geq \sum_{i=1}^n a_i, \quad (7.13)$$

then the function  $h_{\mathbf{a}, \mathbf{b}; n}(x)$  is logarithmically completely monotonic on  $(-\rho_n, \infty)$ . If inequalities in (7.12) and (7.13) are reversed, then the function  $h_{\mathbf{b}, \mathbf{a}; n}(x)$  is logarithmically completely monotonic on  $(-\rho_n, \infty)$ .

*Remark 7.2.1.* The beta function  $B(p, q)$  is defined by

$$B(p, q) = \frac{\Gamma(p)\Gamma(q)}{\Gamma(p+q)}. \quad (7.14)$$

It is a ratio among three gamma functions.

The ratios among four gamma functions have hypergeometric functions (1.13) and Gurland's ratio (3.13).

### 7.3. Monotonicity results for the ratio of products of $q$ -gamma functions.

In [51, Theorem 3.2 and Theorem 3.3] and [61, Theorem 4.1], logarithmically completely monotonic properties for ratios of products of  $q$ -gamma functions were discussed.

The  $q$ -analogue of Theorem 7.3 is as follows.

**Theorem 7.4** ([120]). *Let  $a_i$  and  $b_i$  for  $1 \leq i \leq n$  be real numbers and  $\rho_n = \min_{1 \leq i \leq n} \{a_i, b_i\}$ . For  $x \in (-\rho_n, \infty)$ , define*

$$h_{q; \mathbf{a}, \mathbf{b}; n}(x) = \prod_{i=1}^n \frac{\Gamma_q(x + a_i)}{\Gamma_q(x + b_i)} \quad (7.15)$$

for  $0 < q < 1$ , where  $\mathbf{a}$  and  $\mathbf{b}$  denote  $(a_1, a_2, \dots, a_n)$  and  $(b_1, b_2, \dots, b_n)$  respectively. If inequalities in (7.12) and (7.13) hold, then the function  $h_{q; \mathbf{a}, \mathbf{b}; n}(x)$  is logarithmically completely monotonic on  $(-\rho_n, \infty)$ . If inequalities in (7.12) and (7.13) are

reversed, then the function  $h_{q;b,a;n}(x)$  is logarithmically completely monotonic on  $(-\rho_n, \infty)$ .

**7.4. Bounds for Wallis' formula.** Bounding Wallis' formula (1.5) has a long history, as mentioned in Section 2.2–2.3 and Section 2.5. For more information, please refer to related contents in [68], [89, pp. 192–193 and p. 287] and [34].

In this section, we would like to review concisely recent developments on it.

**7.4.1. Recovery and various proofs.** As mentioned in Section 3.1.6, the double inequality (3.6) and its sharpness were recovered and proved once and again in some papers such as [26, 27, 29, 30, 31, 32, 34, 35, 114, 155] and [162, Theorem 2], because of either without being aware of and finding out the original version of the paper [156], or making use of various approaches and subtle techniques, or repeating some existed routines. Moreover, almost of them were not devoted to improve the bounds in (3.6).

**7.4.2. Bounds for Wallis' formula and the probability integral.** The following theorem connects bounds for Wallis' formula with the probability integral.

**Theorem 7.5** ([24]). *For  $n \in \mathbb{N}$ ,*

$$\frac{\sqrt{\pi}}{2\sqrt{n+9\pi/16-1}} \leq \frac{(2n)!!}{(2n+1)!!} < \frac{\sqrt{\pi}}{2\sqrt{n+3/4}}. \quad (7.16)$$

*The constants  $\frac{9\pi}{16} - 1$  and  $\frac{3}{4}$  in (7.16) are the best possible.*

*For all natural number  $n$ ,*

$$\frac{\sqrt{\pi}}{\sqrt{1+(9\pi/16-1)/n}} \leq \int_{-\sqrt{n}}^{\sqrt{n}} e^{-x^2} dx < \frac{\sqrt{\pi}}{\sqrt{1-3/4n}}. \quad (7.17)$$

*In particular, taking  $n \rightarrow \infty$  in (7.17) leads to*

$$\int_{-\infty}^{\infty} e^{-x^2} dx = \sqrt{\pi}. \quad (7.18)$$

**7.4.3. Koumandos' generalization.** Influenced by the iterative work in [34], S. Koumandos established in [66] the following general double inequality.

**Theorem 7.6** ([66]). *Let  $0 < \alpha < 1$ ,  $n \in \mathbb{N}$  and*

$$d_n(\alpha) = \frac{(1-\alpha)_n}{n!} = \begin{cases} 1, & n = 0, \\ \frac{\Gamma(n+1-\alpha)}{n!\Gamma(1-\alpha)}, & n \geq 1. \end{cases} \quad (7.19)$$

*For all natural numbers  $n$ ,*

$$\frac{1}{\Gamma(1-\alpha)(n+c_2)^\alpha} \leq d_n(\alpha) < \frac{1}{\Gamma(1-\alpha)(n+c_1)^\alpha}, \quad (7.20)$$

*where the constants*

$$c_1 = c_1(\alpha) = \frac{1-\alpha}{2} \quad \text{and} \quad c_2 = c_2(\alpha) = \frac{1}{[\Gamma(2-\alpha)]^{1/\alpha}} - 1 \quad (7.21)$$

*are the best possible.*

**Remark 7.4.1.** The double inequality (7.20) for  $\alpha = \frac{1}{2}$  coincides with (3.6).

7.4.4. *Zhao's refinement.* In [165], the double inequality (3.6) was refined as follows: For  $n \in \mathbb{N}$ ,

$$\frac{1}{\sqrt{\pi n[1 + 1/(4n - 1/2)]}} < \frac{(2n - 1)!!}{(2n)!!} < \frac{1}{\sqrt{\pi n[1 + 1/(4n - 1/3)]}}. \quad (7.22)$$

*Remark 7.4.2.* The double inequality (7.22) is better than (2.9), say nothing of (2.13) and (3.6).

*Remark 7.4.3.* By (1.6), the inequality (7.22) may be rewritten as

$$\sqrt{k + \frac{k}{4k - 1/3}} < \frac{\Gamma(k + 1)}{\Gamma(1 + 1/2)} < \sqrt{k + \frac{k}{4k - 1/2}}, \quad k \in \mathbb{N}. \quad (7.23)$$

7.4.5. *Zhang's refinements.* In [162, Theorem 1], the double inequality (7.22) was refined as

$$\frac{1}{\sqrt{\pi\{n + 1/[4 - 4/(8n + 3)]\}}} < \frac{(2n - 1)!!}{(2n)!!} < \frac{1}{\sqrt{\pi\{n + 1/[4 - 1/(2n + 1)]\}}}. \quad (7.24)$$

*Remark 7.4.4.* The right-hand side inequality in (7.24) is same as the corresponding one in (3.53) for  $x = k$ , and the left-hand side inequality in (7.24) refines the lower bound of (3.53) for  $x = k$ .

*Remark 7.4.5.* In virtue of (1.6), the double inequality (7.24) may be rearranged as

$$\sqrt{k + \frac{1}{4 - 1/(2k + 1)}} < \frac{\Gamma(k + 1)}{\Gamma(1 + 1/2)} < \sqrt{k + \frac{1}{4 - 4/(8k + 3)}}, \quad k \in \mathbb{N}. \quad (7.25)$$

7.4.6. *Zhao-Wu's refinements and generalizations.* In [166, 167], the following refinements and generalizations of inequalities on Wallis' formula were established.

**Theorem 7.7.** For  $0 < z < 1$  and  $n > 1$ ,

$$\begin{aligned} \frac{1}{n^z[1 + (1 - z)/2(n - 1)]^z \Gamma(1 - z)} &< \frac{(1 - z)(2 - z) \cdots (n - z)}{n!} \\ &< \frac{1}{n^z[1 + (1 - z)/(2n + 1 - z)]^z \Gamma(1 - z)}; \end{aligned} \quad (7.26)$$

For  $0 < z < 1$  and  $n \geq 22$ ,

$$\frac{(1 - z)(2 - z) \cdots (n - z)}{n!} < \frac{1}{n^z[1 + (1 - z)/2n]^z \Gamma(1 - z)}; \quad (7.27)$$

For  $n \geq 1$ , the left-hand side inequality in (7.22) is valid; For  $n \geq 1$  and  $0 < \epsilon < \frac{1}{2}$ ,

$$\frac{(2n - 1)!!}{(2n)!!} < \frac{1}{\sqrt{n\pi[1 + 1/(4n - 1/2 + \epsilon)]}} \quad (7.28)$$

holds for  $n > n^*$  if  $n^*$  is the maximal root of

$$32\epsilon n^2 + 4\epsilon^2 n + 32\epsilon n - 17n + 4\epsilon^2 - 1 = 0. \quad (7.29)$$

*Remark 7.4.6.* Inequalities in (3.6) and (7.22) can be deduced from Theorem 7.7.



7.5. **Inequalities for the volume of unit ball in  $\mathbb{R}^n$ .** Let

$$\Omega_n = \frac{\pi^{n/2}}{\Gamma(1+n/2)} \quad (7.30)$$

denote the volume of the unit ball in  $\mathbb{R}^n$ . In [4], among other things, it was demonstrated for  $n \geq 1$  that

$$\sqrt{\frac{n+1/2}{2\pi}} < \frac{\Omega_{n-1}}{\Omega_n} \leq \sqrt{\frac{n+\pi/2-1}{2\pi}} \quad (7.31)$$

by recovering the decreasingly monotonicity of  $\theta(x)$  defined by (3.2) on  $[0, \infty)$ . The constants both  $\frac{1}{2}$  and  $\frac{\pi}{2} - 1$  in (7.31) are the best possible.

It is easy to see that the ratio of the volumes of two unit balls in  $\mathbb{R}^{n-1}$  and  $\mathbb{R}^n$  for  $n \in \mathbb{N}$  is related with the ratio of two gamma functions.

For more information on inequalities of volumes of unit balls in  $\mathbb{R}^n$ , please see [4, 7, 11], [73, Theorem 1] and [84, Theorem 5] and related references therein.

In [11], it was proved that the sequence  $\Omega_n^{1/(n \ln n)}$  for  $n \geq 2$  is decreasing and converges to  $e^{-1/2}$  as  $n \rightarrow \infty$ . In [5, Theorem 2], it was presented that the double inequality

$$\exp\left(\frac{a}{n(\ln n)^2}\right) \leq \frac{\Omega_n^{1/(n \ln n)}}{\Omega_{n+1}^{1/[(n+1) \ln(n+1)]}} < \exp\left(\frac{b}{n(\ln n)^2}\right) \quad (7.32)$$

holds for  $n \geq 2$  if and only if

$$a \leq \ln 2 \ln \pi - \frac{2(\ln 2)^2 \ln(4\pi/3)}{3 \ln 3} \quad \text{and} \quad b \geq \frac{1 + \ln(2\pi)}{2}. \quad (7.33)$$

Recently, the author obtained the following stronger results than the ones in [5, Theorem 2] and [11].

**Theorem 7.8.** *For  $n \geq 2$ , the sequence  $\Omega_n^{1/(n \ln n)}$  is logarithmically convex and the sequence*

$$\frac{\Omega_n^{1/(n \ln n)}}{\Omega_{n+1}^{1/[(n+1) \ln(n+1)]}} \quad (7.34)$$

*is decreasing.*

7.6. **A new ratio of two gamma functions.** By using a geometrical method, the following double inequality was proved in [3]:

$$\frac{1}{n!} \leq \frac{[\Gamma(1+x)]^n}{\Gamma(1+nx)} \leq 1 \quad (7.35)$$

for  $x \in [0, 1]$  and  $n \in \mathbb{N}$ .

By analytical arguments in [149], it was presented that the function

$$f(x, y) = \frac{[\Gamma(1+x)]^y}{\Gamma(1+xy)} \quad (7.36)$$

for all  $y \geq 1$  is decreasing in  $x \geq 0$ . From this, it is deduced that

$$\frac{1}{\Gamma(1+y)} \leq \frac{[\Gamma(1+x)]^y}{\Gamma(1+xy)} \leq 1 \quad (7.37)$$

for all  $y \geq 1$  and  $x \in [0, 1]$ , which is a generalization of inequality (7.35).

In [93], It was showed that if  $f$  is a differentiable and logarithmically convex function on  $[0, \infty)$ , then the function  $\frac{[f(x)]^a}{f(ax)}$  for  $a \geq 1$  (or  $0 < a \leq 1$  respectively) is decreasing (or increasing respectively) on  $[0, \infty)$ . As one of applications to inequalities involving gamma function, Riemann's zeta function and the complete elliptic integrals of the first kind, inequalities (7.35) and (7.37) were deduced.

In [80], an inequality involving a positive linear operator acting on the composition of two continuous functions is presented and, as applications of this inequality, some new inequalities involving the beta, gamma and Riemann's zeta functions and a large family of functions which are Mellin transforms are produced. In particular, for  $\beta > \delta > 0$ ,  $\alpha\beta > -1$  and  $\alpha\delta > -1$ , if either  $\alpha < 0$  or  $\alpha > 1$ , then the inequality

$$\frac{[\Gamma(1 + \delta)]^\alpha}{\Gamma(1 + \alpha\delta)} > \frac{[\Gamma(1 + \beta)]^\alpha}{\Gamma(1 + \alpha\beta)} \quad (7.38)$$

holds true; if  $0 < \alpha \leq 1$ , the inequality (7.38) is reversed. It is not difficult to see that the left-hand sides in inequalities (7.35) and (7.37) are special cases of the inequality (7.38).

In [135, 140], the following logarithmically complete monotonicities, as generalizations of the decreasingly monotonic property in [149], are presented:

- (1) For given  $y > 1$ , the function  $f(x, y)$  defined by (7.36) is decreasing and logarithmically concave with respect to  $x \in (0, \infty)$ , and  $\frac{1}{f(x, y)}$  is a logarithmically completely monotonic function of second order in  $x \in (0, \infty)$ .
- (2) For given  $0 < y < 1$ , the function  $f(x, y)$  defined by (7.36) is increasing and logarithmically convex with respect to  $x \in (0, \infty)$ , and  $f(x, y)$  is a logarithmically completely monotonic function of second order in  $x \in (0, \infty)$ .
- (3) For given  $x \in (0, \infty)$ , the function  $f(x, y)$  defined by (7.36) is logarithmically concave with respect to  $y \in (0, \infty)$ , and  $\frac{1}{f(x, y)}$  is a logarithmically completely monotonic function of first order in  $y \in (0, \infty)$ .
- (4) For given  $x \in (0, \infty)$ , let

$$F_x(y) = \frac{\Gamma(1 + y)[\Gamma(1 + x)]^y}{\Gamma(1 + xy)} \quad (7.39)$$

on  $\in (0, \infty)$ . If  $0 < x < 1$ , then  $F_x(y)$  is a logarithmically completely monotonic function of second order on  $(0, \infty)$ ; if  $x > 1$ , then  $\frac{1}{F_x(y)}$  is a logarithmically completely monotonic function of second order on  $(0, \infty)$ .

In [20, Theorem 2.1], it was proved that the function

$$G_{s,t}(x) = \frac{[\Gamma(1 + tx)]^s}{[\Gamma(1 + sx)]^t} \quad (7.40)$$

is decreasing (or increasing respectively) in  $x \in [0, \infty)$  if either  $s \geq t > 0$  or  $0 > s \geq t$  (or both  $s > 0$  and  $t < 0$  respectively) such that  $1 + sx > 0$  and  $1 + tx > 0$ . This result generalized and extended the corresponding conclusions in [3, 80, 149].

In [127, 128], the following logarithmically complete monotonicity, logarithmically absolute monotonicity and logarithmically absolute convexity of  $G_{s,t}(x)$  defined by (7.40) are verified: The function  $G_{s,t}(x)$  for  $x, s, t \in \mathbb{R}$  such that  $1 + sx > 0$  and  $1 + tx > 0$  with  $s \neq t$  has the following properties:

- (1) For  $t > s > 0$  and  $x \in (0, \infty)$ ,  $G_{s,t}(x)$  is an increasing function and a logarithmically completely monotonic function of second order in  $x$ ;

- (2) For  $t > s > 0$  and  $x \in (-\frac{1}{t}, 0)$ ,  $G_{s,t}(x)$  is a logarithmically completely monotonic function in  $x$ ;
- (3) For  $s < t < 0$  and  $x \in (-\infty, 0)$ ,  $G_{s,t}(x)$  is a decreasing function and a logarithmically absolutely monotonic function of second order in  $x$ ;
- (4) For  $s < t < 0$  and  $x \in (0, -\frac{1}{s})$ ,  $G_{s,t}(x)$  is a logarithmically completely monotonic function in  $x$ ;
- (5) For  $s < 0 < t$  and  $x \in (-\frac{1}{t}, 0)$ ,  $G_{t,s}(x)$  is an increasing function and a logarithmically absolutely convex function in  $x$ ;
- (6) For  $s < 0 < t$  and  $x \in (0, -\frac{1}{s})$ ,  $G_{t,s}(x)$  is a decreasing function and a logarithmically absolutely convex function in  $x$ .

As generalizations of [128, Theorem 1.4] and the main results in [140], the following  $i$ -log convex properties for  $i \in \mathbb{N}$  are established in [132] and its simplified version [134, Theorem 1.2].

**Theorem 7.9.** *Let  $a$  and  $b$  be two real numbers,  $f(x)$  a positive function on an interval  $I$ , and*

$$g_{a,b}(x) = \frac{[f(bx)]^a}{[f(ax)]^b} \quad (7.41)$$

*defined for  $ax \in I$  and  $bx \in I$ . For  $i \in \mathbb{N}$ , the function  $g_{a,b}(x)$  has the following properties:*

- (1) For either  $b > a > 0$  and  $x > 0$  or  $0 > b > a$  and  $x > 0$ ,
  - (a) if the function  $u^{i-1}[\ln f(u)]^{(i)}$  for all  $i \in \mathbb{N}$  is increasing on  $I$ , then  $g_{a,b}(x)$  is  $i$ -log-convex;
  - (b) if the function  $u^{i-1}[\ln f(u)]^{(i)}$  for all  $i \in \mathbb{N}$  is decreasing on  $I$ , then  $g_{a,b}(x)$  is  $i$ -log-concave.
- (2) For  $b > 0 > a$  and  $x > 0$ ,
  - (a) if the function  $u^{i-1}[\ln f(u)]^{(i)}$  for all  $i \in \mathbb{N}$  is increasing on  $I$ , then  $g_{a,b}(x)$  is  $i$ -log-concave;
  - (b) if the function  $u^{i-1}[\ln f(u)]^{(i)}$  for all  $i \in \mathbb{N}$  is decreasing on  $I$ , then  $g_{a,b}(x)$  is  $i$ -log-convex.
- (3) For either  $b > a > 0$  and  $x > 0$  or  $0 > b > a$  and  $x < 0$ ,
  - (a) if the function  $u^{i-1}[\ln f(u)]^{(i)}$  for all  $i \in \mathbb{N}$  is increasing on  $I$ , then  $g_{a,b}(x)$  is  $(2i-1)$ -log-concave and  $(2i)$ -log-convex;
  - (b) if the function  $u^{i-1}[\ln f(u)]^{(i)}$  for all  $i \in \mathbb{N}$  is decreasing on  $I$ , then  $g_{a,b}(x)$  is  $(2i-1)$ -log-convex and  $(2i)$ -log-concave.
- (4) For  $b > 0 > a$  and  $x < 0$ ,
  - (a) if the function  $u^{i-1}[\ln f(u)]^{(i)}$  for all  $i \in \mathbb{N}$  is increasing on  $I$ , then  $g_{a,b}(x)$  is  $(2i-1)$ -log-convex and  $(2i)$ -log-concave;
  - (b) if the function  $u^{i-1}[\ln f(u)]^{(i)}$  for all  $i \in \mathbb{N}$  is decreasing on  $I$ , then  $g_{a,b}(x)$  is  $(2i-1)$ -log-concave and  $(2i)$ -log-convex.

*Remark 7.6.1.* Most results in [65, 79, 151, 152] are simple and direct consequences of Theorem 7.9.

*Remark 7.6.2.* Some proofs in [127, 128, 132, 134] need to use the main results in [133] on monotonic properties of some functions involving the psi and polygamma functions.

## ACKNOWLEDGMENTS

This article was commenced on Tuesday 25 March 2008 while the author was visiting the RGMIA, School of Computer Science and Mathematics, Victoria University, Australia between March 2008 and February 2009. The author would like to express his sincere appreciations on local colleagues at the RGMIA for their invitation and hospitality throughout this period.

In the process of composing this paper, a number of mathematicians and organizations, such as Pietro Cerone in Australia, Edward Furman in Canada, Walter Gautschi in USA, Senlin Guo in China, Mourad E. H. Ismail in USA, Lee Lorch in Canada, Milan Merkle in Serbia, E. Martin Muldoon in Canada, Ričardas Zitikis in Canada, the Proceedings of the Edinburgh Mathematical Society and its several staffs such as Michael Eggar, Tony Gilbert and Alastair Gillespie, provide me in different manners many related references. The author is grateful to them.

This article was ever reported as a series of talks in the seminar held at the RGMIA. The author would also like to express many thanks to Professor Server S. Dragomir, the Chair of the RGMIA, for his invitation and inspiration.

## REFERENCES

- [1] M. Abramowitz and I. A. Stegun (Eds), *Handbook of Mathematical Functions with Formulas, Graphs, and Mathematical Tables*, National Bureau of Standards, Applied Mathematics Series **55**, 9th printing, Washington, 1970.
- [2] G. Alirezaei, *Inequalities for the complementary error function and the bivariate normal probability integral*, submitted.
- [3] C. Alsina and M. S. Tomás, *A geometrical proof of a new inequality for the gamma function*, J. Inequal. Pure Appl. Math. **6** (2005), no. 2, Art. 48; Available online at <http://jipam.vu.edu.au/article.php?sid=517>.
- [4] H. Alzer, *Inequalities for the volume of the unit ball in  $\mathbb{R}^n$* , J. Math. Anal. Appl. **252** (2000), 353–363.
- [5] H. Alzer, *Inequalities for the volume of the unit ball in  $\mathbb{R}^n$ , II*, Publ. Math. Debrecen (2008), accepted.
- [6] H. Alzer, *On some inequalities for the gamma and psi functions*, Math. Comp. **66** (1997), no. 217, 373–389.
- [7] H. Alzer, *Sharp inequalities for the digamma and polygamma functions*, Forum Math. **16** (2004), 181–221.
- [8] H. Alzer, *Some gamma function inequalities*, Math. Comp. **60** (1993), no. 201, 337–346.
- [9] H. Alzer and A. Z. Grinshpan, *Inequalities for the gamma and q-gamma functions*, J. Approx. Theory **144** (2007), 67–83.
- [10] D. E. Amos, *Bounds on iterated coerror functions and their ratios*, Math. Comp. **27** (1973), no. 122, 413–427.
- [11] G. D. Anderson and S.-L. Qiu, *A monotonicity property of the gamma function*, Proc. Amer. Math. Soc. **125** (1997), 3355–3362.
- [12] G. D. Anderson, R. W. Barnard, K. C. Richards, M. K. Vamanamurthy and M. Vuorinen, *Inequalities for zero-balanced hypergeometric functions*, Trans. Amer. Math. Soc. **347** (1995), no. 5, 1713–1723.
- [13] G. E. Andrews, R. A. Askey, and R. Roy, *Special Functions*, Cambridge University Press, Cambridge, 1999.
- [14] R. D. Atanassov and U. V. Tsoukrovski, *Some properties of a class of logarithmically completely monotonic functions*, C. R. Acad. Bulgare Sci. **41** (1988), no. 2, 21–23.
- [15] Á. Baricz, *Mills' ratio: Monotonicity patterns and functional inequalities*, J. Math. Anal. Appl. **340** (2008), 1362–1370.
- [16] N. Batir, *On some properties of digamma and polygamma functions*, J. Math. Anal. Appl. **328** (2007), no. 1, 452–465; Available online at <http://dx.doi.org/10.1016/j.jmaa.2006.05.065>.

- [17] N. Batir, *Some gamma function inequalities*, RGMIA Res. Rep. Coll. **9** (2006), no. 3, Art. 5; Available online at <http://www.staff.vu.edu.au/rgmia/v9n3.asp>.
- [18] N. Batir, *Some new inequalities for gamma and polygamma functions*, J. Inequal. Pure Appl. Math. **6** (2005), no. 4, Art. 103; Available online at <http://jipam.vu.edu.au/article.php?sid=577>. RGMIA Res. Rep. Coll. **7** (2004), no. 3, Art. 1; Available online at <http://www.staff.vu.edu.au/rgmia/v7n3.asp>.
- [19] C. Berg, *Integral representation of some functions related to the gamma function*, Mediterr. J. Math. **1** (2004), no. 4, 433–439.
- [20] L. Bougoffa, *Some inequalities involving the gamma function*, J. Inequal. Pure Appl. Math. **7** (2006), no. 5, Art. 179; Available online at <http://jipam.vu.edu.au/article.php?sid=796>.
- [21] A. V. Boyd, *Note on a paper by Uppuluri*, Pacific J. Math. **22** (1967), 9–10.
- [22] P. S. Bullen, *Handbook of Means and Their Inequalities*, Mathematics and its Applications, Volume 560, Kluwer Academic Publishers, Dordrecht/Boston/London, 2003.
- [23] J. Bustoz and M. E. H. Ismail, *On gamma function inequalities*, Math. Comp. **47** (1986), 659–667.
- [24] J. Cao, D.-W. Niu, and F. Qi, *A Wallis type inequality and a double inequality for probability integral*, Austral. J. Math. Anal. Appl. **5** (2007), no. 1, Art. 3; Available online at <http://ajmaa.org/cgi-bin/paper.pl?string=v4n1/V4I1P3.tex>.
- [25] Ch.-P. Chen, *Monotonicity and convexity for the gamma function*, J. Inequal. Pure Appl. Math. **6** (2005), no. 4, Art. 100; Available online at <http://jipam.vu.edu.au/article.php?sid=574>.
- [26] Ch.-P. Chen, *On Wallis' inequality*, Commun. Math. Anal. **1** (2006), no. 1, 1–5.
- [27] Ch.-P. Chen, *Proof of the best bounds in Wallis' inequality*, Gen. Math. **13** (2005), no. 2, 117–120.
- [28] Ch.-P. Chen and A.-J. Li, *Monotonicity results of integral mean and application to extension of the second Gautschi-Kershaw's inequality*, RGMIA Res. Rep. Coll. **10** (2007), no. 4, Art. 2; Available online at <http://www.staff.vu.edu.au/rgmia/v10n4.asp>.
- [29] Ch.-P. Chen and F. Qi, *A new proof of the best bounds in Wallis' inequality*, RGMIA Res. Rep. Coll. **6** (2003), no. 2, Art. 2, 19–22; Available online at <http://www.staff.vu.edu.au/rgmia/v6n2.asp>.
- [30] Ch.-P. Chen and F. Qi, *Best upper and lower bounds in Wallis' inequality*, J. Indon. Math. Soc. (MIHMI) **11** (2005), no. 2, 137–141.
- [31] Ch.-P. Chen and F. Qi, *Completely monotonic function associated with the gamma function and proof of Wallis' inequality*, Tamkang J. Math. **36** (2005), no. 4, 303–307.
- [32] Ch.-P. Chen and F. Qi, *Improvement of lower bound in Wallis' inequality*, RGMIA Res. Rep. Coll. **5** (2002), Suppl., Art. 23; Available online at [http://www.staff.vu.edu.au/rgmia/v5\(E\).asp](http://www.staff.vu.edu.au/rgmia/v5(E).asp).
- [33] Ch.-P. Chen and F. Qi, *Logarithmically completely monotonic functions relating to the gamma function*, J. Math. Anal. Appl. **321** (2006), no. 1, 405–411.
- [34] Ch.-P. Chen and F. Qi, *The best bounds in Wallis' inequality*, Proc. Amer. Math. Soc. **133** (2005), no. 2, 397–401. RGMIA Res. Rep. Coll. **5** (2002), no. 4, Art. 13, 709–712; Available online at <http://www.staff.vu.edu.au/rgmia/v5n4.asp>.
- [35] Ch.-P. Chen and F. Qi, *The best bounds to  $\frac{(2n)!}{2^{2n}(n!)^2}$* , Math. Gaz. **88** (2004), 54–55.
- [36] J. T. Chu, *A modified Wallis product and some applications*, Amer. Math. Monthly **69** (1962), no. 5, 402–404.
- [37] M. J. Cloud and B. C. Drachman, *Inequalities with Applications to Engineering*, Springer Verlag, 1998.
- [38] J. Dubourdieu, *Sur un théorème de M. S. Bernstein relatif à la transformation de Laplace-Stieltjes*, Compositio Math. **7** (1939-40), 96–111.
- [39] J. Dutka, *On some gamma function inequalities*, SIAM J. Math. Anal. **16** (1985), 180–185.
- [40] L. Durand, *Nicholson-type integrals for products of Gegenbauer functions and related topics*, in: R.A. Askey (Ed.), *Theory and Application of Special Functions*, (Proc. Advanced Sem. Math. Res. Center, Univ. Wisconsin-Madison), Vol. 35, Academic Press, New York, 1975, 353–374.
- [41] Á. Elbert and A. Laforgia, *An inequality for the product of two integrals relating to the incomplete Gamma function*, J. Inequal. Appl. **5** (2000), 39–51.
- [42] Á. Elbert and A. Laforgia, *On some properties of the gamma function*, Proc. Amer. Math. Soc. **128** (2000), no. 9, 2667–2673.

- [43] N. Elezović, C. Giordano and J. Pečarić, *The best bounds in Gautschi's inequality*, Math. Inequal. Appl. **3** (2000), 239–252.
- [44] N. Elezović and J. Pečarić, *Differential and integral  $f$ -means and applications to digamma function*, Math. Inequal. Appl. **3** (2000), no. 2, 189–196.
- [45] T. Erber, *The gamma function inequalities of Gurland and Gautschi*, Skand. Aktuarietidskr. **1960** (1961), 27–28.
- [46] G. Gasper and M. Rahman, *Basic Hypergeometric Series*, Cambridge University Press, Cambridge, 1990.
- [47] W. Gautschi, *Some elementary inequalities relating to the gamma and incomplete gamma function*, J. Math. Phys. **38** (1959), no. 1, 77–81.
- [48] C. Giordano and A. Laforgia, *Inequalities and monotonicity properties for the gamma function*, J. Comput. Appl. Math. **133** (2001) 387–396.
- [49] C. Giordano, A. Laforgia and J. Pečarić, *Monotonicity properties for some functions involving the ratio of two gamma functions*, in: A. Bellacicco, A. Laforgia (Eds.), *Funzioni Speciali e Applicazioni*, Franco Angeli, Milano, 1998, 35–42.
- [50] C. Giordano, A. Laforgia and J. Pečarić, *Unified treatment of Gautschi-Kershaw type inequalities for the gamma function*, Proceedings of the VIIIth Symposium on Orthogonal Polynomials and Their Applications (Seville, 1997). J. Comput. Appl. Math. **99** (1998), no. 1-2, 167–175.
- [51] A. Z. Grinshpan and M. E. H. Ismail, *Completely monotonic functions involving the gamma and  $q$ -gamma functions*, Proc. Amer. Math. Soc. **134** (2006), no. 4, 1153–1160.
- [52] B.-N. Guo, Y.-J. Zhang, and F. Qi, *Refinements and sharpenings of some double inequalities for bounding the gamma function*, J. Inequal. Pure Appl. Math. **9** (2008), no. 1, Art. 17; Available online at <http://jipam.vu.edu.au/article.php?sid=953>.
- [53] S. Guo, *Some classes of completely monotonic functions involving the gamma function*, Internat. J. Pure Appl. Math. **30** (4) (2006), 561–566.
- [54] S. Guo and F. Qi, *More supplements to a class of logarithmically completely monotonic functions associated with the gamma function*, submitted.
- [55] S. Guo, F. Qi, and H. M. Srivastava, *Necessary and sufficient conditions for two classes of functions to be logarithmically completely monotonic*, Integral Transforms Spec. Funct. **18** (2007), no. 11, 819–826.
- [56] S. Guo, F. Qi, and H. M. Srivastava, *Supplements to a class of logarithmically completely monotonic functions associated with the gamma function*, Appl. Math. Comput. **197** (2008), no. 2, 768–774; Available online at <http://dx.doi.org/10.1016/j.amc.2007.08.011>.
- [57] J. Gurland, *An inequality satisfied by the gamma function*, Skand. Aktuarietidskr. **39** (1956), 171–172.
- [58] J. Gurland, *On Wallis' formula*, Amer. Math. Monthly **63** (1956), 643–645.
- [59] R. A. Horn, *On infinitely divisible matrices, kernels and functions*, Z. Wahrscheinlichkeitstheorie und Verw. Geb. **8** (1967), 219–230.
- [60] M. E. H. Ismail, L. Lorch, and M. E. Muldoon, *Completely monotonic functions associated with the gamma function and its  $q$ -analogues*, J. Math. Anal. Appl. **116** (1986), 1–9.
- [61] M. E. H. Ismail and M. E. Muldoon, *Inequalities and monotonicity properties for gamma and  $q$ -gamma functions*, in: R.V.M. Zahar (Ed.), *Approximation and Computation: A Festschrift in Honour of Walter Gautschi*, ISNM, Vol. **119**, BirkhRauser, Basel, 1994, 309–323.
- [62] D. K. Kazarinoff, *On Wallis' formula*, Edinburgh Math. Notes **1956** (1956), no. 40, 19–21.
- [63] J. D. Kečlić and P. M. Vasić, *Some inequalities for the gamma function*, Publ. Inst. Math. (Beograd) (N. S.) **11** (1971), 107–114.
- [64] D. Kershaw, *Some extensions of W. Gautschi's inequalities for the gamma function*, Math. Comp. **41** (1983), 607–611.
- [65] T. Kim and C. Adiga, *On the  $q$ -analogue of the gamma function and related inequalities*, J. Inequal. Pure Appl. Math. **6** (2005), no. 4, Art. 118; Available online at <http://jipam.vu.edu.au/article.php?sid=592>.
- [66] S. Koumandos, *Remarks on a paper by Chao-Ping Chen and Feng Qi*, Proc. Amer. Math. Soc. **134** (2006), 1365–1367.
- [67] S. Koumandos, *Remarks on some completely monotonic functions*, J. Math. Anal. Appl. **324** (2006), no. 2, 1458–1461.

- [68] J.-Ch. Kuang, *Chángyòng Bùděngshì (Applied Inequalities)*, 3rd ed., Shandong Science and Technology Press, Ji'nan City, Shandong Province, China, 2004. (Chinese)
- [69] A. Laforgia, *Further inequalities for the gamma function*, Math. Comp. **42** (1984), no. 166, 597–600.
- [70] A. Laforgia and P. Natalini, *Supplements to known monotonicity results and inequalities for the gamma and incomplete gamma functions*, J. Inequal. Appl. **2006** (2006), Article ID 48727, 1–8.
- [71] I. Lazarević and A. Lupaş, *Functional equations for Wallis and Gamma functions*, Univ. Beograd. Publ. Elektrotehn. Fak. Ser. Mat. Fiz. **461-497** (1974), 245–251.
- [72] L. Lew, J. Frauenthal and N. Keyfitz, *On the average distances in a circular disc*, in: Mathematical Modeling: Classroom Notes in Applied Mathematics, Philadelphia, SIAM, 1987.
- [73] A.-J. Li and Ch.-P. Chen, *Some completely monotonic functions involving the gamma and polygamma functions*, J. Korean Math. Soc. **45** (2008), no. 1, 273–287.
- [74] A.-J. Li, W.-Zh. Zhao, and Ch.-P. Chen, *Logarithmically complete monotonicity properties for the ratio of gamma function*, Adv. Stud. Contemp. Math. (Kyungshang) **13** (2006), no. 2, 183–191.
- [75] M. Loeve, *Probability Theory*, 2nd ed., Van Nostrand, Princeton, New Jersey, 1960.
- [76] L. Lorch, *Inequalities for ultraspherical polynomials and the gamma function*, J. Approx. Theory **40** (1984), no. 2, 115–120.
- [77] Yu. L. Luke, *Mathematical Functions and Their Approximations*, Academic Press, New York, 1975.
- [78] W. Magnus, F. Oberhettinger and R. P. Soni, *Formulas and Theorems for the Special Functions of Mathematical Physics*, Springer, Berlin, 1966.
- [79] T. Mansour, *Some inequalities for the q-gamma function*, J. Inequal. Pure Appl. Math. **9** (2008), no. 1, Art. 18; Available online at <http://jipam.vu.edu.au/article.php?sid=954>.
- [80] A. McD. Mercer, *Some new inequalities for the gamma, beta and zeta functions*, J. Inequal. Pure Appl. Math. **7** (2006), no. 1, Art. 29; Available online at <http://jipam.vu.edu.au/article.php?sid=636>.
- [81] M. Merkle, *Conditions for convexity of a derivative and some applications to the Gamma function*, Aequationes Math. **55** (1998), 273–280.
- [82] M. Merkle, *Conditions for convexity of a derivative and applications to the gamma and digamma function*, Facta Universitatis (Niš) Ser. Math. Inform. **16** (2001), 13–20.
- [83] M. Merkle, *Convexity, Schur-convexity and bounds for the gamma function involving the digamma function*, Rocky Mountain J. Math. **28** (1998), no. 3, 1053–1066.
- [84] M. Merkle, *Gurland's ratio for the gamma function*, Comput. Math. Appl. **49** (2005), 389–406.
- [85] M. Merkle, *Inequalities for the gamma function via convexity*, In: P. Cerone, S. S. Dragomir (Eds.), "Advances in Inequalities for Special Functions", Nova Science Publishers, New York, 2008, 81–100.
- [86] M. Merkle, *Logarithmic convexity and inequalities for the gamma function*, J. Math. Anal. Appl. **203** (1996), no 2, 369–380.
- [87] M. Merkle, *Logarithmic concavity of distribution functions*, Proc. Internat. Memorial Conference "D. S. Mitrinović", Niš, 1996. Collection: G. V. Milovanović (ed.), "Recent progress in Inequalities", Kluwer Academic Publishers, Dordrecht, 1998, 481–484.
- [88] M. Merkle, *Representations of error terms in Jensen's and some related inequalities with applications*, J. Math. Anal. Appl. **231** (1999), 76–90.
- [89] D. S. Mitrinović, *Analytic Inequalities*, Springer-Verlag, New York/Heidelberg/Berlin, 1970.
- [90] D. S. Mitrinović, J. E. Pečarić and A. M. Fink, *Classical and New Inequalities in Analysis*, Kluwer Academic Publishers, Dordrecht/Boston/London, 1993.
- [91] M. E. Muldoon, *Some monotonicity properties and characterizations of the gamma function*, Aequationes Math. **18** (1978), 54–63.
- [92] P. Natalini and B. Palumbo, *Inequalities for the incomplete gamma function*, Math. Inequal. Appl. **3** (2000), no. 1, 69–77.
- [93] E. Neuman, *Inequalities involving a logarithmically convex function and their applications to special functions*, J. Inequal. Pure Appl. Math. **7** (2006), no. 1, Art. 16; Available online at <http://jipam.vu.edu.au/article.php?sid=646>.

- [94] F. W. J. Oliver, *Asymptotics and Special Functions*, Academic Press, New York/San Francisco/London, 1974.
- [95] B. Palumbo, *A generalization of some inequalities for the gamma function*, J. Comput. Appl. Math. **88** (1998), no. 2, 255–268.
- [96] J. Pečarić, F. Proschan, and Y. L. Tong, *Convex Functions, Partial Orderings, and Statistical Applications*, Mathematics in Science and Engineering **187**, Academic Press, 1992.
- [97] F. Qi, *A class of logarithmically completely monotonic functions and application to the best bounds in the second Gautschi-Kershaw's inequality*, J. Comput. Appl. Math. (2009), in press; Available online at <http://dx.doi.org/10.1016/j.cam.2008.05.030>. RGMIA Res. Rep. Coll. **9** (2006), no. 4, Art. 11; Available online at <http://www.staff.vu.edu.au/rgmia/v9n4.asp>.
- [98] F. Qi, *A class of logarithmically completely monotonic functions and the best bounds in the first Kershaw's double inequality*, J. Comput. Appl. Math. **206** (2007), no. 2, 1007–1014; Available online at <http://dx.doi.org/10.1016/j.cam.2006.09.005>. RGMIA Res. Rep. Coll. **9** (2006), no. 2, Art. 16; Available online at <http://www.staff.vu.edu.au/rgmia/v9n2.asp>.
- [99] F. Qi, *A completely monotonic function involving divided difference of psi function and an equivalent inequality involving sum*, ANZIAM J. **48** (2007), no. 4, 523–532. RGMIA Res. Rep. Coll. **9** (2006), no. 4, Art. 5; Available online at <http://www.staff.vu.edu.au/rgmia/v9n4.asp>.
- [100] F. Qi, *A completely monotonic function involving divided differences of psi and polygamma functions and an application*, RGMIA Res. Rep. Coll. **9** (2006), no. 4, Art. 8; Available online at <http://www.staff.vu.edu.au/rgmia/v9n4.asp>.
- [101] F. Qi, *A double inequality for divided differences and some identities of psi and polygamma functions*, RGMIA Res. Rep. Coll. **10** (2007), no. 3, Art. 6; Available online at <http://www.staff.vu.edu.au/rgmia/v10n3.asp>.
- [102] F. Qi, *A new lower bound in the second Kershaw's double inequality*, J. Comput. Appl. Math. **214** (2008), no. 2, 610–616; Available online at <http://dx.doi.org/10.1016/j.cam.2007.03.016>. RGMIA Res. Rep. Coll. **10** (2007), no. 1, Art. 9; Available online at <http://www.staff.vu.edu.au/rgmia/v10n1.asp>.
- [103] F. Qi, *Generalized weighted mean values with two parameters*, R. Soc. Lond. Proc. Ser. A Math. Phys. Eng. Sci. **454** (1998), no. 1978, 2723–2732.
- [104] F. Qi, *Monotonicity and logarithmic convexity for a class of elementary functions involving the exponential function*, RGMIA Res. Rep. Coll. **9** (2006), no. 3, Art. 3; Available online at <http://www.staff.vu.edu.au/rgmia/v9n3.asp>.
- [105] F. Qi, *Monotonicity results and inequalities for the gamma and incomplete gamma functions*, Math. Inequal. Appl. **5** (2002), no. 1, 61–67. RGMIA Res. Rep. Coll. **2** (1999), no. 7, Art. 7, 1027–1034; Available online at <http://www.staff.vu.edu.au/rgmia/v2n7.asp>.
- [106] F. Qi, *Refinements, extensions and generalizations of the second Kershaw's double inequality*, RGMIA Res. Rep. Coll. **10** (2007), no. 2, Art. 8; Available online at <http://www.staff.vu.edu.au/rgmia/v10n2.asp>.
- [107] F. Qi, *The best bounds in Kershaw's inequality and two completely monotonic functions*, RGMIA Res. Rep. Coll. **9** (2006), no. 4, Art. 2; Available online at <http://www.staff.vu.edu.au/rgmia/v9n4.asp>.
- [108] F. Qi, *The extended mean values: Definition, properties, monotonicities, comparison, convexities, generalizations, and applications*, Cubo Mat. Educ. **5** (2003), no. 3, 63–90. RGMIA Res. Rep. Coll. **5** (2002), no. 1, Art. 5, 57–80; Available online at <http://www.staff.vu.edu.au/rgmia/v5n1.asp>.
- [109] F. Qi, *Three classes of logarithmically completely monotonic functions involving gamma and psi functions*, Integral Transforms Spec. Funct. **18** (2007), no. 7, 503–509. RGMIA Res. Rep. Coll. **9** (2006), Suppl., Art. 6; Available online at [http://www.staff.vu.edu.au/rgmia/v9\(E\).asp](http://www.staff.vu.edu.au/rgmia/v9(E).asp).
- [110] F. Qi, *Three-log-convexity for a class of elementary functions involving exponential function*, J. Math. Anal. Approx. Theory **1** (2006), no. 2, 100–103.
- [111] F. Qi, J. Cao, and D.-W. Niu, *Four logarithmically completely monotonic functions involving gamma function and originating from problems of traffic flow*, RGMIA Res. Rep. Coll. **9** (2006), no. 3, Art 9; Available online at <http://www.staff.vu.edu.au/rgmia/v9n3.asp>.



- [112] F. Qi and Ch.-P. Chen, *A complete monotonicity property of the gamma function*, J. Math. Anal. Appl. **296** (2004), no. 2, 603–607.
- [113] F. Qi, R.-Q. Cui, Ch.-P. Chen, and B.-N. Guo, *Some completely monotonic functions involving polygamma functions and an application*, J. Math. Anal. Appl. **310** (2005), no. 1, 303–308.
- [114] F. Qi, L.-H. Cui, and S.-L. Xu, *Some inequalities constructed by Tchebysheff's integral inequality*, Math. Inequal. Appl. **2** (1999), no. 4, 517–528.
- [115] F. Qi and B.-N. Guo, *A class of logarithmically completely monotonic functions and the best bounds in the second Kershaw's double inequality*, J. Comput. Appl. Math. **212** (2008), no. 2, 444–456; Available online at <http://dx.doi.org/10.1016/j.cam.2006.12.022>. RGMIA Res. Rep. Coll. **10** (2007), no. 2, Art. 5; Available online at <http://www.staff.vu.edu.au/rgmia/v10n2.asp>.
- [116] F. Qi and B.-N. Guo, *A concise proof of the best bounds in Gautschi-Kershaw inequalities*, submitted.
- [117] F. Qi and B.-N. Guo, *A new proof of complete monotonicity of a function involving psi function*, submitted.
- [118] F. Qi and B.-N. Guo, *Complete monotonicities of functions involving the gamma and digamma functions*, RGMIA Res. Rep. Coll. **7** (2004), no. 1, Art. 8, 63–72; Available online at <http://www.staff.vu.edu.au/rgmia/v7n1.asp>.
- [119] F. Qi and B.-N. Guo, *Notes on infinite family of approximations of the digamma function*, submitted.
- [120] F. Qi and B.-N. Guo, *Some properties and applications of a function involving exponential function*, submitted.
- [121] F. Qi and B.-N. Guo, *Two completely monotonic functions involving divided differences of digamma and trigamma functions and an application*, submitted.
- [122] F. Qi and B.-N. Guo, *Wendel-Gautschi-Kershaw's inequalities and sufficient and necessary conditions that a class of functions involving ratio of gamma functions are logarithmically completely monotonic*, RGMIA Res. Rep. Coll. **10** (2007), no. 1, Art. 2; Available online at <http://www.staff.vu.edu.au/rgmia/v10n1.asp>.
- [123] F. Qi and B.-N. Guo, *Wendel-Gautschi's inequalities: Refinements, extensions, and a class of logarithmically completely monotonic functions*, submitted.
- [124] F. Qi, B.-N. Guo, and Ch.-P. Chen, *Some completely monotonic functions involving the gamma and polygamma functions*, J. Austral. Math. Soc. **80** (2006), 81–88.
- [125] F. Qi, B.-N. Guo, and Ch.-P. Chen, *Some completely monotonic functions involving the gamma and polygamma functions*, RGMIA Res. Rep. Coll. **7** (2004), no. 1, Art. 5, 31–36; Available online at <http://www.staff.vu.edu.au/rgmia/v7n1.asp>.
- [126] F. Qi, B.-N. Guo, and Ch.-P. Chen, *The best bounds in Gautschi-Kershaw inequalities*, Math. Inequal. Appl. **9** (2006), no. 3, 427–436. RGMIA Res. Rep. Coll. **8** (2005), no. 2, Art. 17; Available online at <http://www.staff.vu.edu.au/rgmia/v8n2.asp>.
- [127] F. Qi, B.-N. Guo and S. Guo, *A function involving gamma function and having logarithmically absolute convexity*, RGMIA Res. Rep. Coll. **10** (2007), no. 1, Art. 15; Available online at <http://www.staff.vu.edu.au/rgmia/v10n1.asp>.
- [128] F. Qi, B.-N. Guo, S. Guo, and Sh.-X. Chen *A function involving gamma function and having logarithmically absolute convexity*, Integral Transforms Spec. Funct. **18** (2007), no. 11, 837–843.
- [129] F. Qi and S.-L. Guo, *Inequalities for the incomplete gamma and related functions*, Math. Inequal. Appl. **2** (1999), no. 1, 47–53.
- [130] F. Qi and S. Guo, *New upper bounds in the second Kershaw's double inequality and its generalizations*, RGMIA Res. Rep. Coll. **10** (2007), no. 2, Art. 1; Available online at <http://www.staff.vu.edu.au/rgmia/v10n2.asp>.
- [131] F. Qi, S. Guo, and Sh.-X. Chen, *A new upper bound in the second Kershaw's double inequality and its generalizations*, J. Comput. Appl. Math. (2008), in press; Available online at <http://dx.doi.org/10.1016/j.cam.2007.07.037>.
- [132] F. Qi, S. Guo and B.-N. Guo, *A class of  $k$ -log-convex functions and their applications to some special functions*, RGMIA Res. Rep. Coll. **10** (2007), no. 1, Art. 21; Available online at <http://www.staff.vu.edu.au/rgmia/v10n1.asp>.

- [133] F. Qi, S. Guo and B.-N. Guo, *Note on a class of completely monotonic functions involving the polygamma functions*, RGMIA Res. Rep. Coll. **10** (2007), no. 1, Art. 5; Available online at <http://www.staff.vu.edu.au/v10n1.asp>.
- [134] F. Qi, S. Guo, B.-N. Guo and Sh.-X. Chen, *A class of  $k$ -log-convex functions and their applications to some special functions*, Integral Transforms Spec. Funct. **19** (2008), no. 3, 195–200.
- [135] F. Qi and W. Li, *Two logarithmically completely monotonic functions connected with the gamma function*, RGMIA Res. Rep. Coll. **8** (2005), no. 3, Art. 13, 497–493; Available online at <http://www.staff.vu.edu.au/rgmia/v8n3.asp>.
- [136] F. Qi, W. Li and B.-N. Guo, *Generalizations of a theorem of I. Schur*, RGMIA Res. Rep. Coll. **9** (2006), no. 3, Art. 15; Available online at <http://www.staff.vu.edu.au/rgmia/v9n3.asp>. Bùdèngshì Yānjiū Tōngxùn (Communications in Studies on Inequalities) **13** (2006), no. 4, 355–364.
- [137] F. Qi, X.-A. Li and Sh.-X. Chen, *Refinements, extensions and generalizations of the second Kershaw's double inequality*, Math. Inequal. Appl. **11** (2008), no. 3, 457–465.
- [138] F. Qi and J.-Q. Mei, *Some inequalities of the incomplete gamma and related functions*, Z. Anal. Anwendungen **18** (1999), no. 3, 793–799.
- [139] F. Qi, D.-W. Niu, J. Cao, and Sh.-X. Chen, *Four logarithmically completely monotonic functions involving gamma function*, J. Korean Math. Soc. **45** (2008), no. 2, 559–573.
- [140] F. Qi, Q. Yang, and W. Li, *Two logarithmically completely monotonic functions connected with gamma function*, Integral Transforms Spec. Funct. **17** (2006), no. 7, 539–542.
- [141] B. Raja Rao, *Gautschi-type inequalities for incomplete absolute moments of a multivariate distribution with applications*, Metron **39** (1981), no. 3-4, 43–51.
- [142] B. Raja Rao, *On a generalization of Gautschi's inequality*, Skand. Aktuarietidskr. (1970), 10–14.
- [143] B. Raja Rao, *On an inequality satisfied by the gamma function and its logarithmic derivatives*, Metron **39** (1981), no. 3-4, 125–131.
- [144] B. Raja Rao, *On some analogues of Gauchi's inequality satisfied by the Beta and the Hypergeometric functions*, Skand. Aktuarietidskr. (1970), 15–19.
- [145] B. Raja Rao, *A note on some properties of the hypergeometric function with the last argument unity*, Skand. Actuarial. J. (1974), 140–143.
- [146] V. R. Rao Uppuluri, *A stronger version of Gautschi's inequality satisfied by the gamma function*, Skand. Aktuarietidskr. **1964** (1965), no. 1-2, 51–52.
- [147] V. R. Rao Uppuluri, *Correction to "On a stronger version of Wallis' formula"*, Pacific J. Math. **23** (1967), no. 3, 629–630.
- [148] V. R. Rao Uppuluri, *On a stronger version of Wallis' formula*, Pacific J. Math. **19** (1966), no. 1, 183–187.
- [149] J. Sándor, *A note on certain inequalities for the gamma function*, J. Inequal. Pure Appl. Math. **6** (2005), no. 3, Art. 61; Available online at <http://jipam.vu.edu.au/article.php?sid=534>.
- [150] J. Sándor, *On certain inequalities for the Gamma function*, RGMIA Res. Rep. Coll. **9** (2006), no. 1, Art. 11, 115–117. Available online at <http://www.staff.vu.edu.au/rgmia/v9n1.asp>.
- [151] M. Sellami, K. Brahim and N. Bettaibi, *New inequalities for some special and  $q$ -special functions*, J. Inequal. Pure Appl. Math. **8** (2007), no. 2, Art. 47; Available online at <http://jipam.vu.edu.au/article.php?sid=857>.
- [152] A. Sh. Shabani, *Some inequalities for the gamma function*, J. Inequal. Pure Appl. Math. **8** (2007), no. 2, Art. 49; Available online at <http://jipam.vu.edu.au/article.php?sid=852>.
- [153] D. N. Shanbhag, *On some inequalities satisfied by the gamma function*, Skand. Aktuarietidskr. **1967** (1967), 45–49.
- [154] D. V. Slavić, *On inequalities for  $\Gamma(x+1)/\Gamma(x+1/2)$* , Univ. Beograd. Publ. Elektrotehn. Fak. Ser. Mat. Fiz. **498-541** (1975), 17–20.
- [155] J.-Sh. Sun and Ch.-M. Qu, *Alternative proof of the best bounds of Wallis' inequality*, Commun. Math. Anal. **2** (2007), no. 1, 23–27.
- [156] G. N. Watson, *A note on gamma functions*, Proc. Edinburgh Math. Soc. **11** (1958/1959), no. 2, Edinburgh Math Notes No. 42 (misprinted 41) (1959), 7–9.
- [157] Y.-J. Wei, S.-L. Zhang, and Ch.-P. Chen, *Logarithmically completely monotonic functions and Gurland's ratio for the gamma function*, Adv. Stud. Contemp. Math. **15** (2007), no. 2, 253–257.

- [158] E. W. Weisstein, *Wallis Cosine Formula*, From MathWorld—A Wolfram Web Resource; Available online at <http://mathworld.wolfram.com/WallisFormula.html>.
- [159] E. W. Weisstein, *Laplace Transform*, From MathWorld—A Wolfram Web Resource; Available online at <http://mathworld.wolfram.com/LaplaceTransform.html>.
- [160] J. G. Wendel, *Note on the gamma function*, Amer. Math. Monthly **55** (1948), no. 9, 563–564.
- [161] D. V. Widder, *The Laplace Transform*, Princeton University Press, Princeton, 1941.
- [162] G.-M. Zhang, *The upper bounds and lower bounds on Wallis' inequality*, Shùxué de Shíjiàn yǔ Rènshí (Math. Practice Theory) **37** (2007), no. 5, 111–116. (Chinese)
- [163] X.-M. Zhang and H.-N. Shi, *Two Gautschi type inequalities and applications*, Bùděngshì Yānjiū Tōngxùn (Communications in Studies on Inequalities) **14** (2007), no. 2, 179–191. (Chinese)
- [164] X.-M. Zhang, T.-Q. Xu, and L.-B. Situ, *Geometric convexity of a function involving gamma function and applications to inequality theory*, J. Inequal. Pure Appl. Math. **8** (2007), no. 1, Art. 17; Available online at <http://jipam.vu.edu.au/article.php?sid=830>.
- [165] D.-J. Zhao, *On a two-sided inequality involving Wallis' formula*, Shùxué de Shíjiàn yǔ Rènshí (Math. Practice Theory) **34** (2004), 166–168. (Chinese)
- [166] Y.-Q. Zhao and Q.-B. Wu, *An improvement of the Wallis inequality*, Zhèjiāng Dàxué Xuébào (Lìxué Bǎn) (Journal of Zhejiang University (Science Edition)) **33** (2006), no. 2, 372–375. (Chinese)
- [167] Y.-Q. Zhao and Q.-B. Wu, *Wallis inequality with a parameter*, J. Inequal. Pure Appl. Math. **7** (2006), no. 2, Art. 56; Available online at <http://jipam.vu.edu.au/article.php?sid=673>.
- [168] Sh. Zimerring, *On a Mercerian theorem and its application to the equiconvergence of Cesàro and Riesz transforms*, Publ. Inst. Math. (Beograd) (N.S.) **1** (1962), no. 15, 83–91.

RESEARCH INSTITUTE OF MATHEMATICAL INEQUALITY THEORY, HENAN POLYTECHNIC UNIVERSITY, JIAOZUO CITY, HENAN PROVINCE, 454010, CHINA

*E-mail address:* [qifeng618@gmail.com](mailto:qifeng618@gmail.com), [qifeng618@hotmail.com](mailto:qifeng618@hotmail.com), [qifeng618@qq.com](mailto:qifeng618@qq.com)

*URL:* <http://qifeng618.spaces.live.com>